



- 10/100/1000 Base-T Gigabit LAN and other Ethernet Applications
- RJ45 jack cavity conforms to FCC rules and regulations  
Part 68, SUB Part F
- Standard Operating Temp: 0°C to 70°C
- Available in other Circuit Designs
- Optional Gold Plating Thickness

**Electrical Specifications @ 25°C**

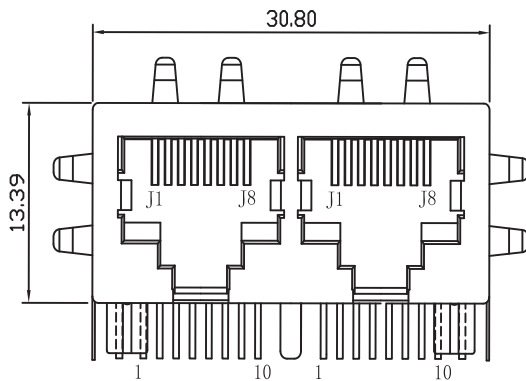
Part Number	OCL(uH Min) @ 100kHz, 0.1V With 8mA DC Bias	Turns Ratio chip: cable (±2%)	Insertion Loss (dB Max)	Return Loss (dB Min)			
			1-65MHz	1-10MHz	10-30MHz	30-60MHz	60-100MHz
AR12-4245	350	TX / RX = 1CT:1CT	-1.0	-20	-16	-12	-10

**Electrical Specifications @ 25°C**

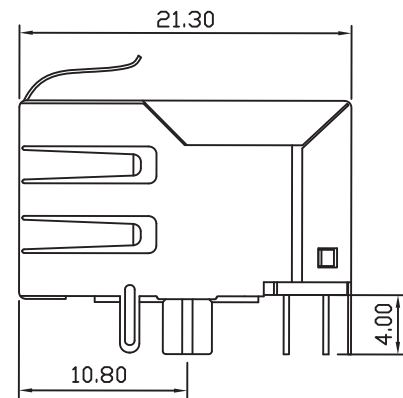
Cross Talk (dB Min)			CMR (dB Min)		HI-POT 1500Vrms min
1-30MHz	30-60MHz	60-100MHz	1-50MHz	50-150MHz	
-40	-35	-30	-30	-20	

All specifications subject to change without notice.

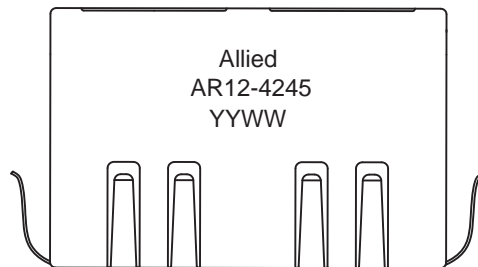
**MECHANICAL**



Front Side View



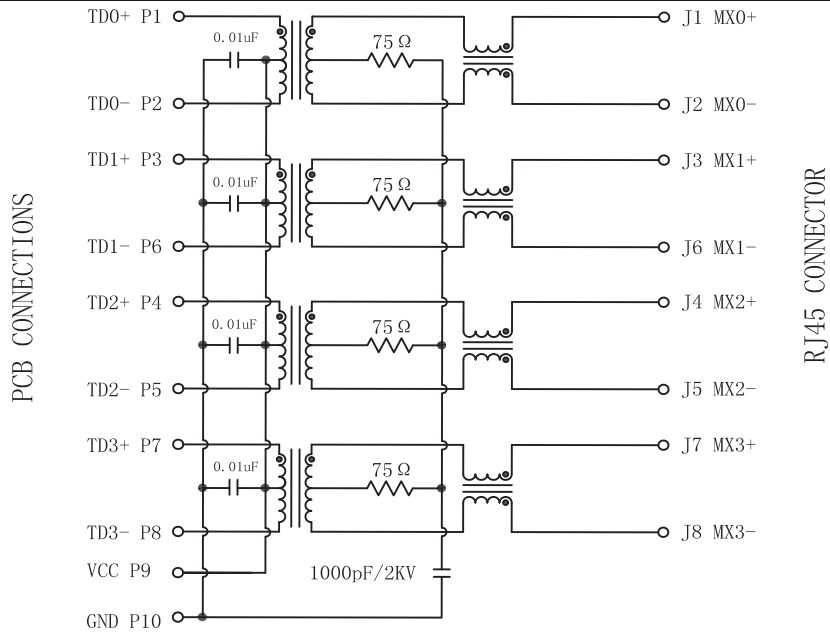
Left Side View



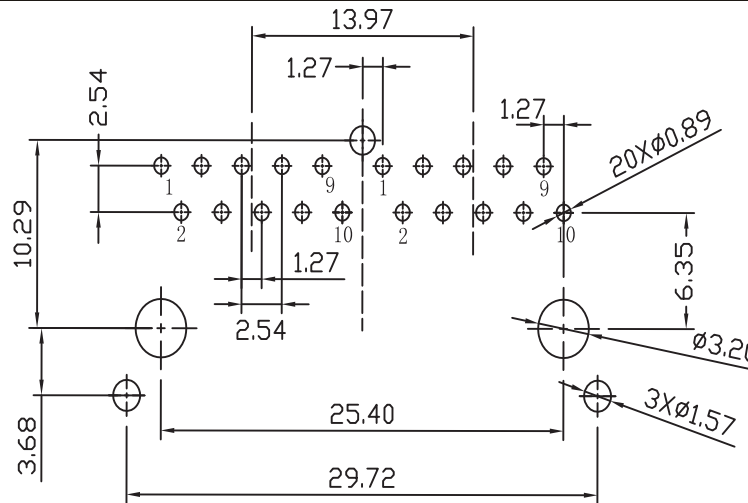
Top Side View



**SCHEMATICS**



**PCB LAYOUT**



**NOTES**

1. Meets IEEE 802.3 specification
2. Connector Materials:  
 Housing Material: Thermoplastic PA46+30%G.F UL94V-0  
 Contact Material: Phosphor Bronze C5210R-EH Thickness=0.35mm  
 Pins: Brass C2680R-H Thickness=0.35mm  
 Shield: SUS 201-1/2H Thickness=0.2mm  
 Contact plating: Gold 6 micro-inches min. In contact area.
3. Wave solder tip temperature: 265°C Max, 5 Sec Max