

- 1000 Base-T for Ethernet Applications
- RJ45 jack cavity conforms to FCC rules and regulations Part 68, SUB Part F
- Industrial Temp: -40°C to +85°C
- Available in other Circuit Designs
- Optional Gold Plating Thickness

Electrical Specifications @ 25°C

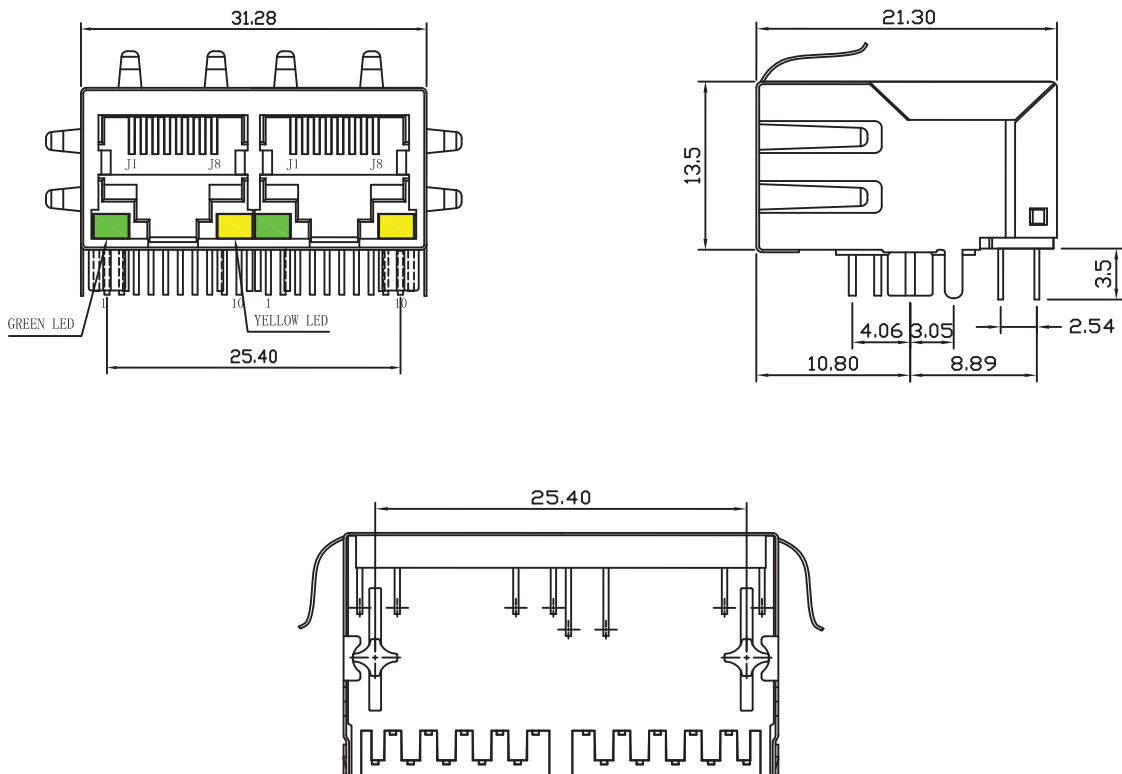
Part Number	OCL(uH Min) @ 100kHz, 0.1V	Turns Ratio chip: cable (±5%)	Insertion Loss (dB Max)	Return Loss (dB Min)			
	With 8mA DC Bias		1-100MHz	1-30MHz	30-60MHz	60-80MHz	80-100MHz
AR12-3968I	350	1CT:1CT	-1.0	-18	-16	-12	-10

Electrical Specifications @ 25°C

Cross Talk (dB Min)	CMRR (dB Min)	CMR (dB Min)	HI-POT (VDC) (Input to Output)
1-100MHz	1-100MHz	30MHz	100MHz
-30	-30	-43	-33
			1500

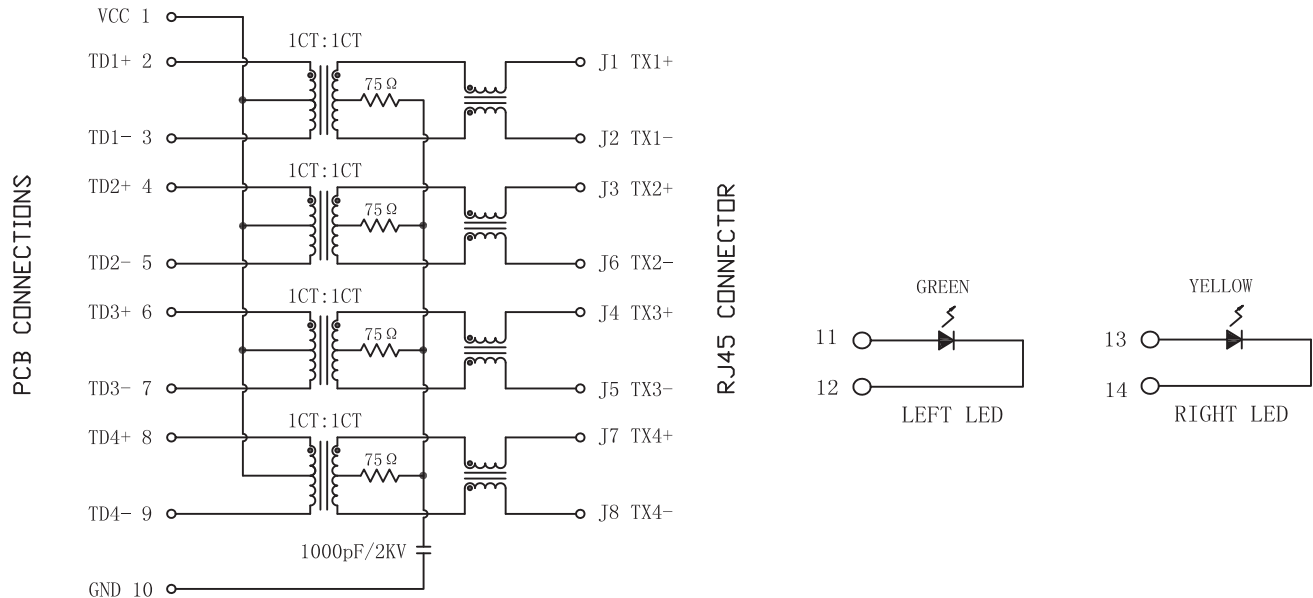
All specifications subject to change without notice.

MECHANICAL

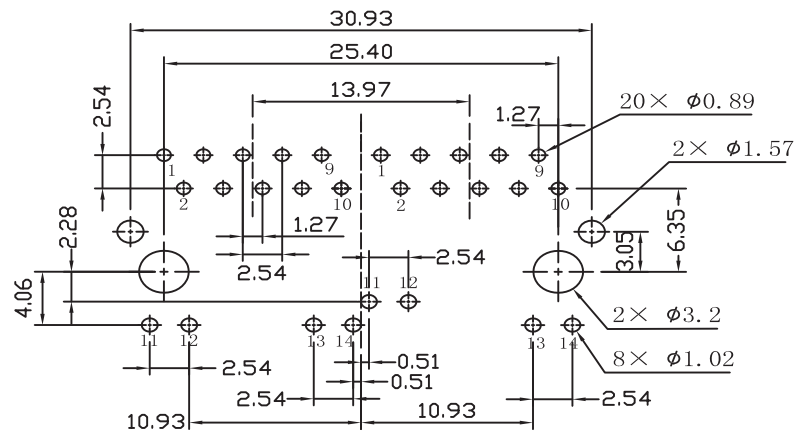




SCHEMATICS



PCB LAYOUT



NOTES

1. Designed to support application, such as SOHO (ADSL modems), LAN-on-Motherboard (LOM), hub and Switches.
2. Meets IEEE 802.3 specification
3. Connector Materials:
Housing: Thermoplastic UL94V-0
Contact/Shield: Copper alloy
Shield plating: Nickel
Contact plating: Gold 6 micro-inches min. In contact area.
4. Wave solder tip temperature: 265°C Max
Wave solder tip temperature time: 5 Sec Max