

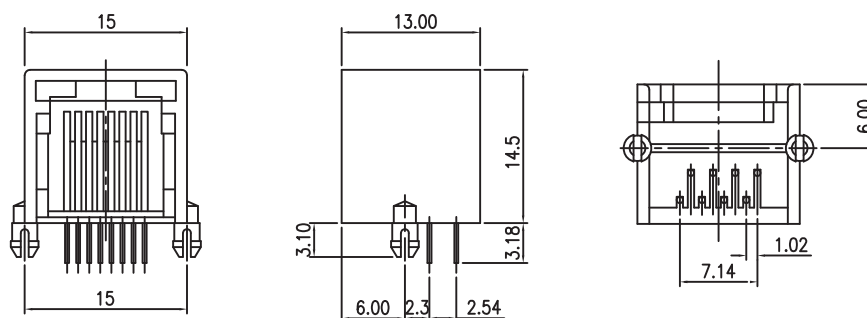


- Insulation Resistance: 1000M-Ohm Min. @ 500VDC
- Contact Resistance: 45milli-Ohm Max.
- Rating Current: 1.5A Max
- Rating Voltage: 125V AC.
- Dielectric Voltage: 1000VAC or 1500VDC @ 0.5mA 50Hz/60Hz 60Sec.

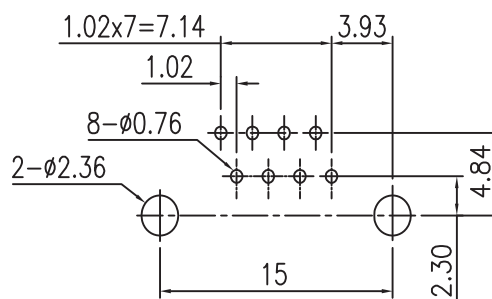


## MECHANICAL

All specifications subject to change without notice.



## PCB LAYOUT



### Physical Characteristics:

1. Housing: PBT UL94V-0, Color Gray.
2. Terminals: Dia. 0.45mm Phosphor Bronze, Plated 6u" Au.
3. Durability: 750 cycles Min.
4. Operating temperature range:  $-40^{\circ}\text{C}$  to  $+85^{\circ}\text{C}$ .

### Materials

Housing: Glass Filled Polyester UL94V-0, Gray color.  
Contact: 0.45mm Diameter Phosphor Bronze Gold Plating Over Nickel