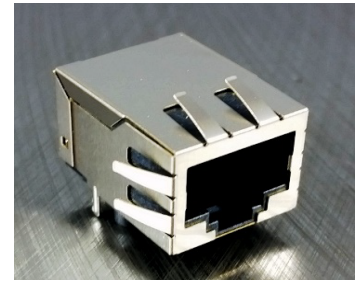


SINGLE PORT RJ45

AR11-4370I

- 10/100 Base-T for Ethernet LAN, WAN and other networking applications
- Transmit open circuit inductance (OCL): 350µH (MIN)  
@ 100KHz, 0.1Vrms with 8mA DC Bias
- RJ45 jack cavity conforms to FCC rules and regulations Part 68, SUB Part F
- Industrial Temp: -40°C to +85°C

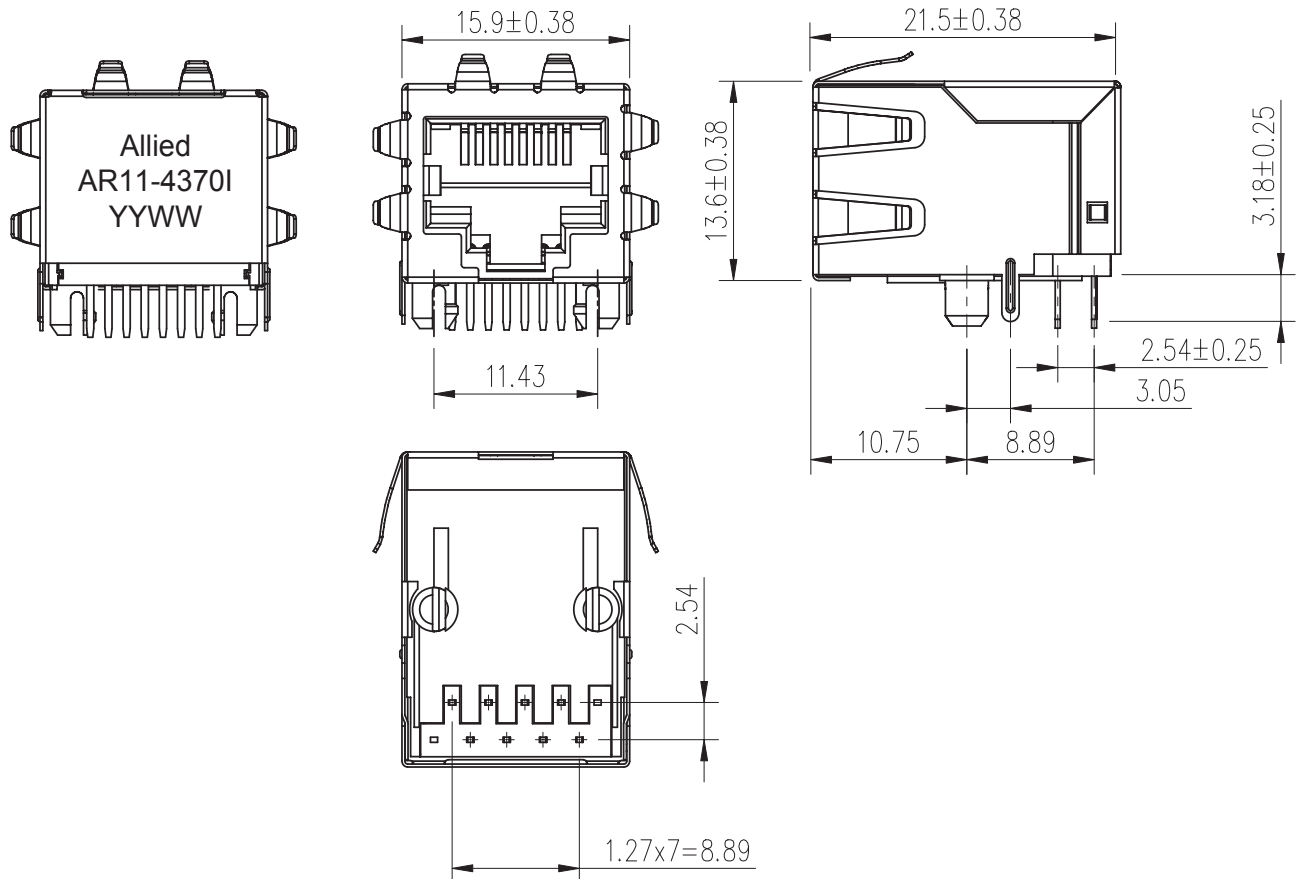


Electrical Specifications @ 25°C

OCL(µH Min) @100KHz, 0.1V With 8mA DC Bias	Turns Ratio @100KHz, 0.1V (±5%)	Insertion Loss (dB Max)	Return Loss (dB Min)					Cross Talk (dB Min)	CMR (dB Min)	HI-POT 1mA, 60S 1500VAC
			1-100MHz	1-30MHz	30-60MHz	60-80MHz	80-100MHz			
350	1:1	-1.0	-18	-16	-12	-10	-30	-30		

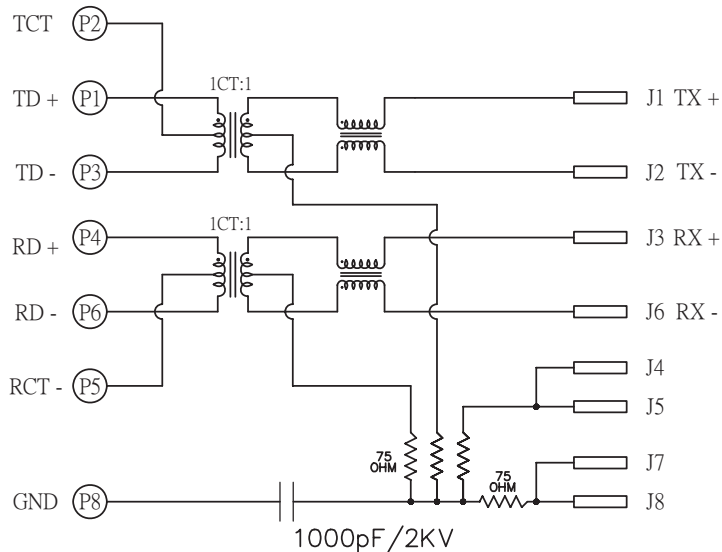
All specifications subject to change without notice.

MECHANICAL

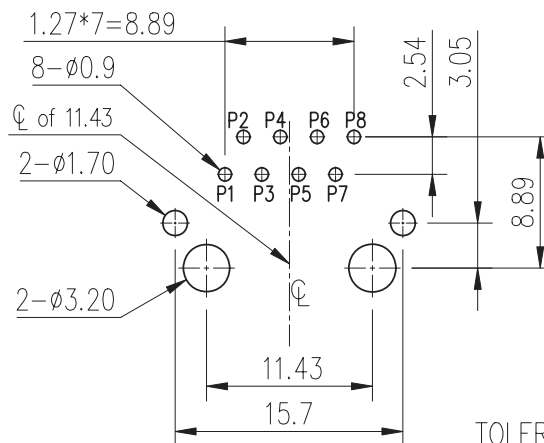




**SCHEMATICS**



**PCB LAYOUT**



**NOTES**

- 1. Shielded – 0.20mm Thickness Brass C2680 H.  
Plating Nickel 20u”MIN.
- 2. Housing – Standard Material LCP, Glass Fiber Filled  
Polyester UL94V-0 Standard Color Black.
- 3. Contact Pin – Plastic: LCP, Glass Fiber Filled  
Polyester UL94V-0 Standard Color Black.  
Pin: 0.35mm Thickness Phos-Bronze C5210 EH.  
Plating: Nickel 30u”~60u” For All And Sn 100%,  
And Gold Plating 50u”.
- 4. Insert Pin – Plastic: LCP, Glass Fiber Filled  
Polyester UL94V-0 Standard Color Black.  
Pin: 0.35mm Thickness SUS430.  
Plating: Sn All Over 30u”~60u” Nickel