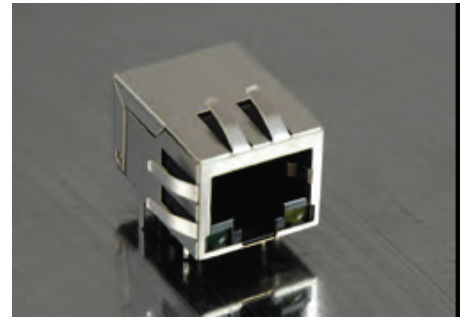




Single Port RJ45 Connector

AR11-4366

- 10/100/ 1000 Base-T for Ethernet Applications
- Impedance: 100OHMS
- RJ45 jack cavity conforms to FCC rules and regulations Part 68, SUB Part F
- Standard Operating Temp: 0°C to +70°C
- Available in other Circuit Designs
- Optional Gold Plating Thickness



Electrical Specifications @ 25°C

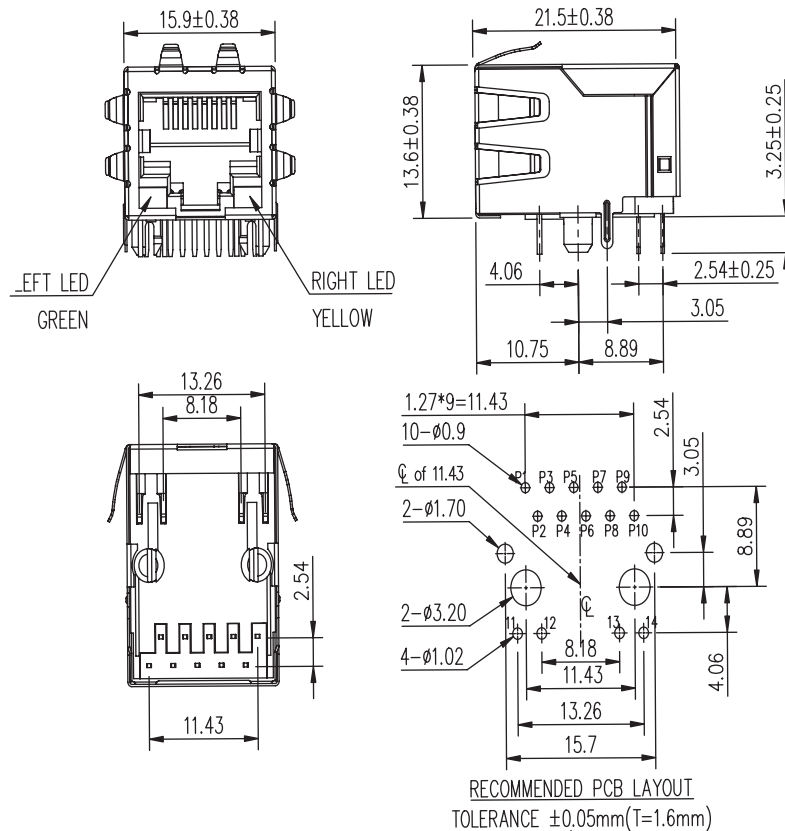
Part Number	OCL(uH Min) @ 100kHz, 0.1V With 8mA DC Bias	Turns Ratio (± 5%)				Insertion Loss (dB Max)		Return Loss (dB Min)			
		P2-P3: J1-J2	P4-P7: J3-J6	P5-P6: J4-J5	P8-P9: J7-J8	1-100MHz	100-125MHz	1-30MHz	30-60MHz	60-80MHz	80-100MHz
AR11-4366	350uH Min	1:1	1:1	1:1	1:1	-1.0dB	-1.2dB	-18dB	-16dB	-12dB	-10dB

Electrical Specifications @ 25°C

Cross Talk (dB Min)	CMR (dB Min)	HI-POT
1-100MHz	1-100MHz	1.0mA,60S
-30dB	-30dB	1500VAC

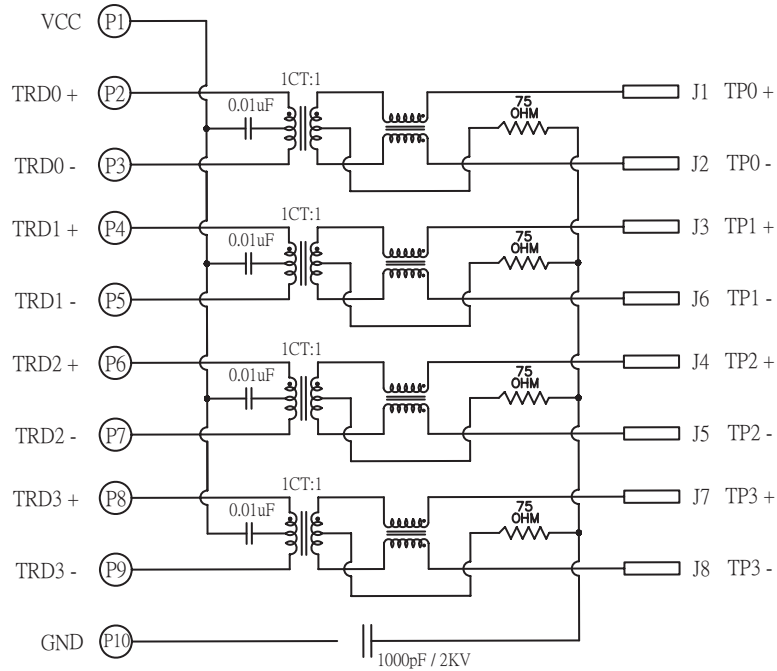
All specifications subject to change without notice.

MECHANICAL



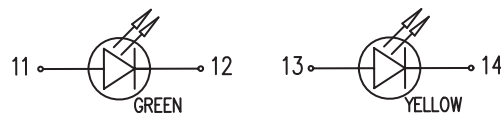


SCHEMATICS



LEFT LED
11+ 12- GREEN

RIGHT LED
13+ 14- YELLOW



NOTES

- 1. Shielded - 0.20mm Thickness Brass C2680 H. Plating Nickel 20u"MIN.
- 2. Housing- Plastic: Nylon 66, Glass Fiber Filled Polyester UL94V-0 Standard Color Black.
- 3. Contact Pin- Plastic: Nylon 66, Glass Fiber Filled Polyester UL94V-0 Standard Color Black. Pin: 0.35mm Thickness Phosphor Bronze C5210 EH. Plating: Nickel 30u"~60u" For All And Sn 100%, And Gold Plating 30u".
- 4. Insert Pin- Plastic: Nylon 66, Glass Fiber Filled Polyester UL94V-0 Standard Color Black. Pin: 0.35mm Thickness SUS430. Plating: Sn All Over 30u"~60u" Nickel
- 5. LED-

STANDARD LED	WAVELENGTH	FORWARD VOLTAGE
GREEN	565nm	2.5V MAX
YELLOW	585nm	2.5V MAX

With a forward current of 20mA