



- 10/100/1000 BaseT Gigabit for LAN and other Ethernet Applications
- Transmit open circuit inductance (OCL): 350uH (MIN) @100KHz,0.1VRMS with 8mA DC Bias
- RJ45 jack cavity conforms to FCC rules and regulations Part 68, SUB Part F
- Standard operating temp: 0°C to +70°C

Electrical Specifications @ 25°C

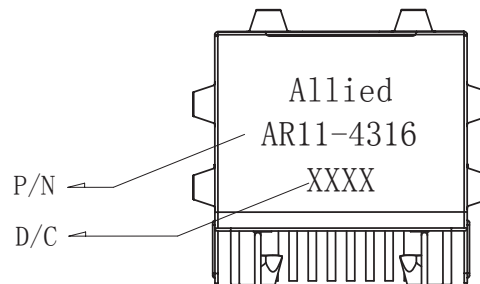
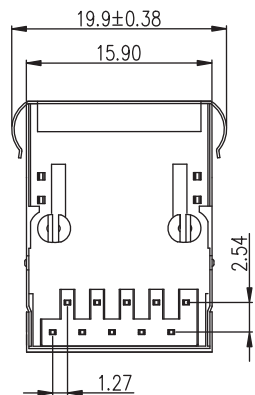
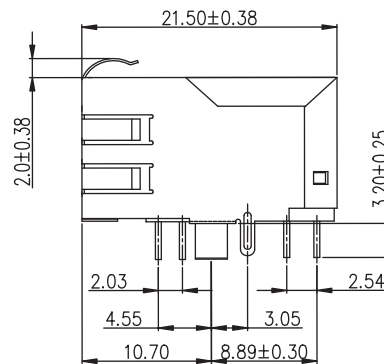
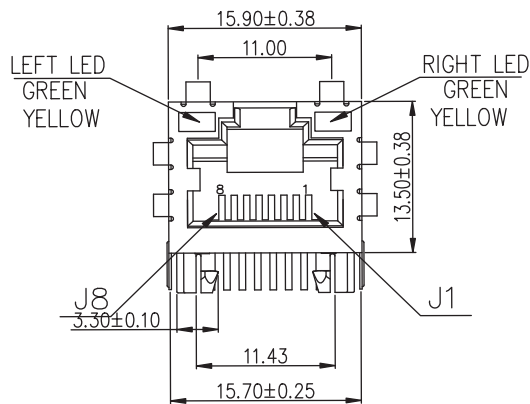
Part Number	OCL(uH Min) @ 100kHz, 0.1V	Turns Ratio: @100KHz,0.1V				Cross Talk (dB Min) 1-100MHz	HI-POT 1.0mA 60s INPUT TO OUTPUT 1500VAC
	With 8mA DC Bias	P2-P3: J1-J2	P4-P5: J3-J6	P6-P7: J4-J5	P8-P9: J7-J8		
AR11-4316	350	1:1±5%	1:1±5%	1:1±5%	1:1±5%	-30	

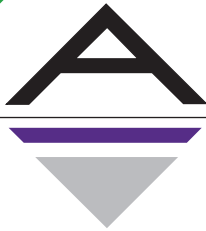
Electrical Specifications @ 25°C

Part Number	Insertion Loss (dB Max)		Return Loss (dB Min) @ Load 100 Ohm				CMR (dB Min) 1-100MHz
	1-100MHz	100-125MHz	1-30MHz	30-60MHz	60-80MHz	80-100MHz	
AR11-4316	-1.0	-1.2	-18	-16	-12	-10	-30

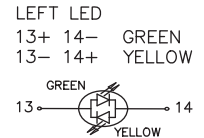
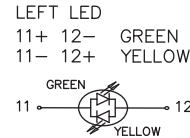
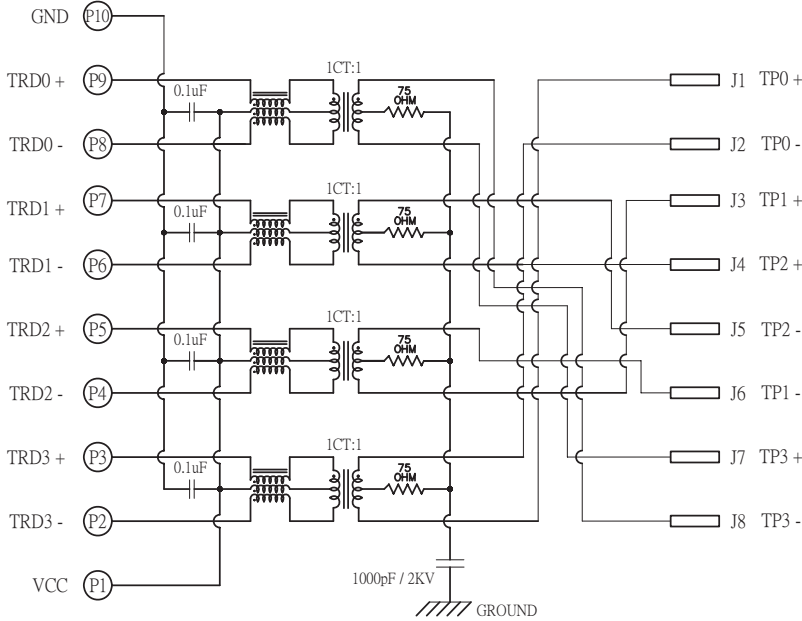
All specifications subject to change without notice.

MECHANICAL





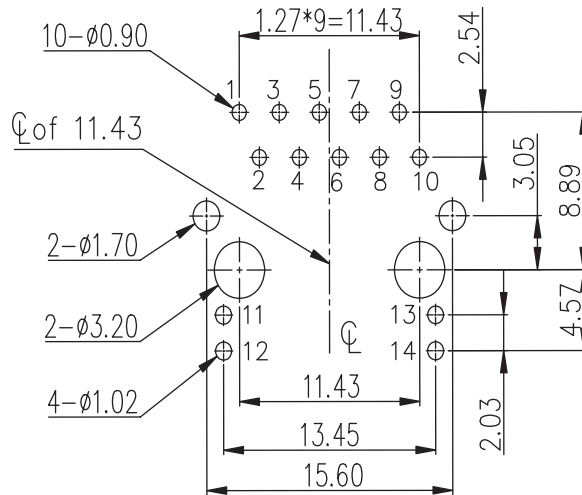
**SCHEMATICS**



STANDARD LED	WAVELENGTH	FORWARD VOLTAGE
GREEN	565nm	2.5V MAX
YELLOW	585nm	2.5V MAX

With a forward current of 20mA

**PCB LAYOUT**



**NOTES**

1. Shielded - 0.20mm THICKNESS BRASS C2680 H. PLATING NICKEL 20u"Min.
2. Housing- Standard Material Nylon66, Glass Filled Polyester UL94V-0 Standed Color Black.
3. Contact Pin- Plastic: Nylon66 UL94V-0, Standard Color Black. Pin: 0.35mm Thickness Phos-Bronze C5210 EH. Plating: Nickel30u"~60u" for all and Sn 100%, and Gold Plating 50u".
4. Insert Pin- Plastic: Nylon66, Glass Filled, UL94V-0, Standard Color Black. Pin: 0.35mm Thickness SUS430. Plating: Nickel30u"~60u" for all and Sn 100%.