



Single Port RJ45 Connector

AR11-4312

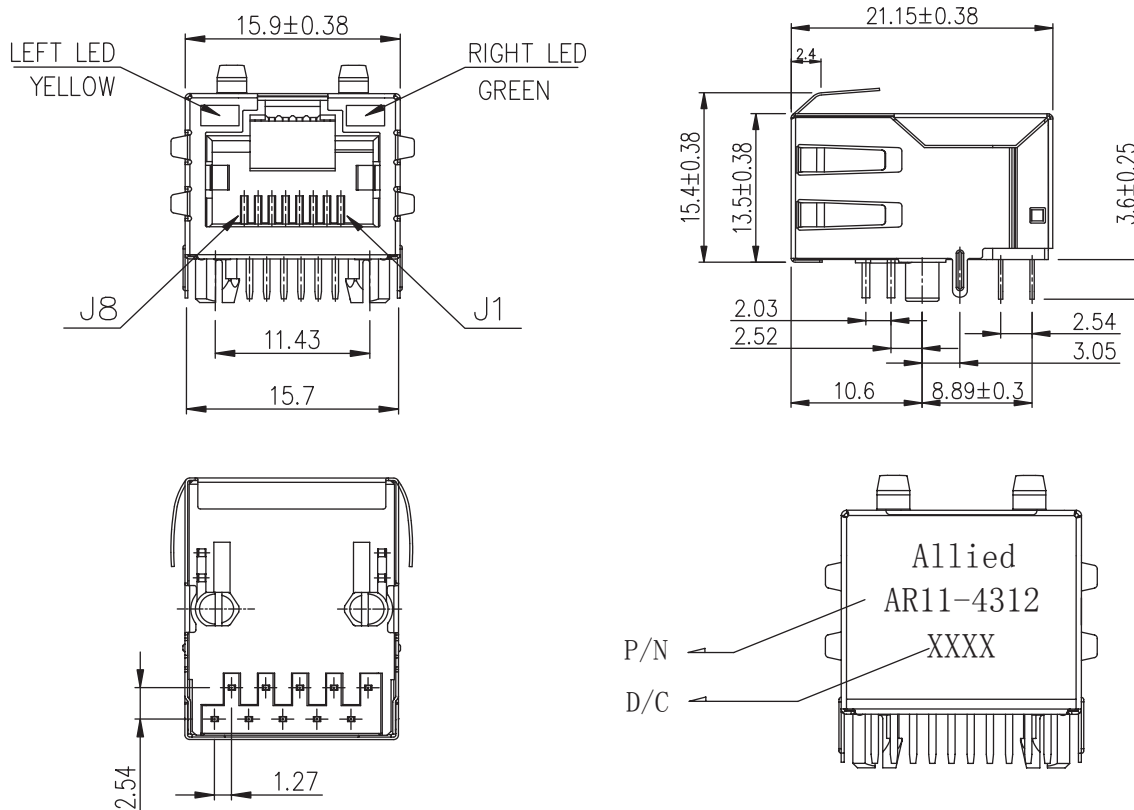
- 10/100/1000 Base-T Gigabit for Ethernet Applications
- RJ45 jack cavity conforms to FCC rules and regulations Part 68, SUB Part F
- Operating Temp: 0°C to +70°C
- Contact Factory for Industrial Temp.
- Available in other Circuit Designs
- Optional Gold Plating Thickness
- Other LED Patterns available

Electrical Specifications @ 25°C											
Part Number	OCL(uH Min) @ 100kHz, 0.1V With 8mA DC Bias	Turns Ratio (± 2%)				Insertion Loss (dB Max)		Return Loss (dB Min)			
		P2-P3: J1-J2	P4-P7: J3-J6	P5-P6: J4-J5	P8-P9: J7-J8	1-100MHz	100-125MHz	1-30MHz	30-60MHz	60-80MHz	80-100MHz
AR11-4312	350	1:1±5%	1:1±5%	1:1±5%	1:1±5%	-1.0	-1.2	-18	-16	-12	-10

Electrical Specifications @ 25°C		
Cross Talk (dB Min)	CMR (dB Min)	HI-POT 1.0mA,60S
1-100MHz	1-100MHz	
-30	-30	1500VAC

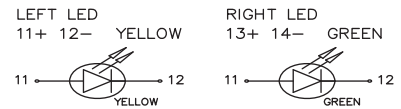
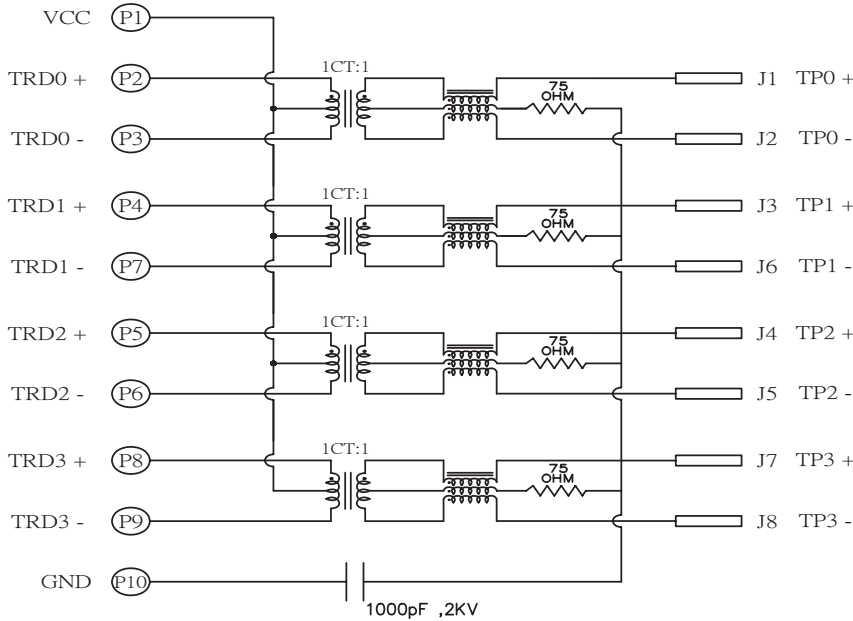
All specifications subject to change without notice.

MECHANICAL





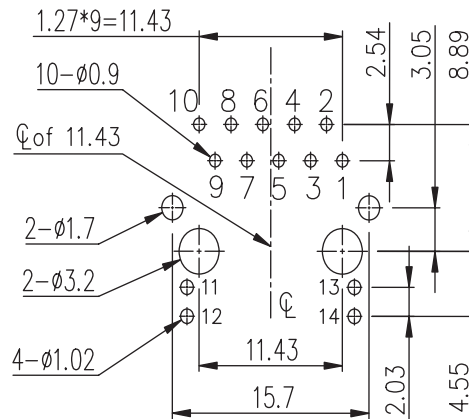
SCHEMATICS



STANDARD LED	WAVELENGTH	FORWARD VOLTAGE
GREEN	565nm	2.5V MAX
YELLOW	585nm	2.5V MAX

With a forward current of 20mA

PCB LAYOUT



RECOMMENDED PCB LAYOUT
TOLERANCE ±0.05mm(T=1.6mm)

NOTES

1. Shielded – 0.20mm THICKNESS BRASS C2680 H. PLATING NICKEL 20u”–40u”.
2. Housing – Standard Material Nylon 66 Filled Polyester UL94V-0 Standed Color Black.
3. Contact Pin – Plastic: Nylon66 UL94V-0, Standard Color Black. Pin: 0.35mm Thickness Phos-Bronze C5210 EH. Plating: Nickel40u”~60u” for all and Sn 100%, and Gold Plating 6u” .
4. Insert Pin – Plastic: Nylon 66, Glass Filled, UL94V-0, Standard Color Black. Pin: 0.35mm Thickness SUS430. Plating: Nickel40u”~60u” for all and Sn 100%.