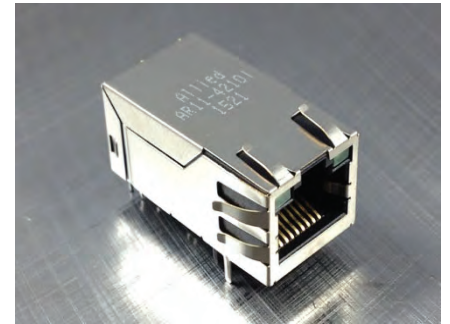




SINGLE PORT RJ45 CONNECTOR

AR11-4210I

- 10/100/1000 Base-T Gigabit for LAN and other Ethernet Applications
- Designed to meet IEEE 802.3at
- PoE up to 720 mA MAX @ 57 VDC continuous
- RJ45 jack cavity conforms to FCC rules and regulations Part 68, SUB Part F
- Industrial Temp: -40°C to +85°C



Electrical Specifications @ 25°C

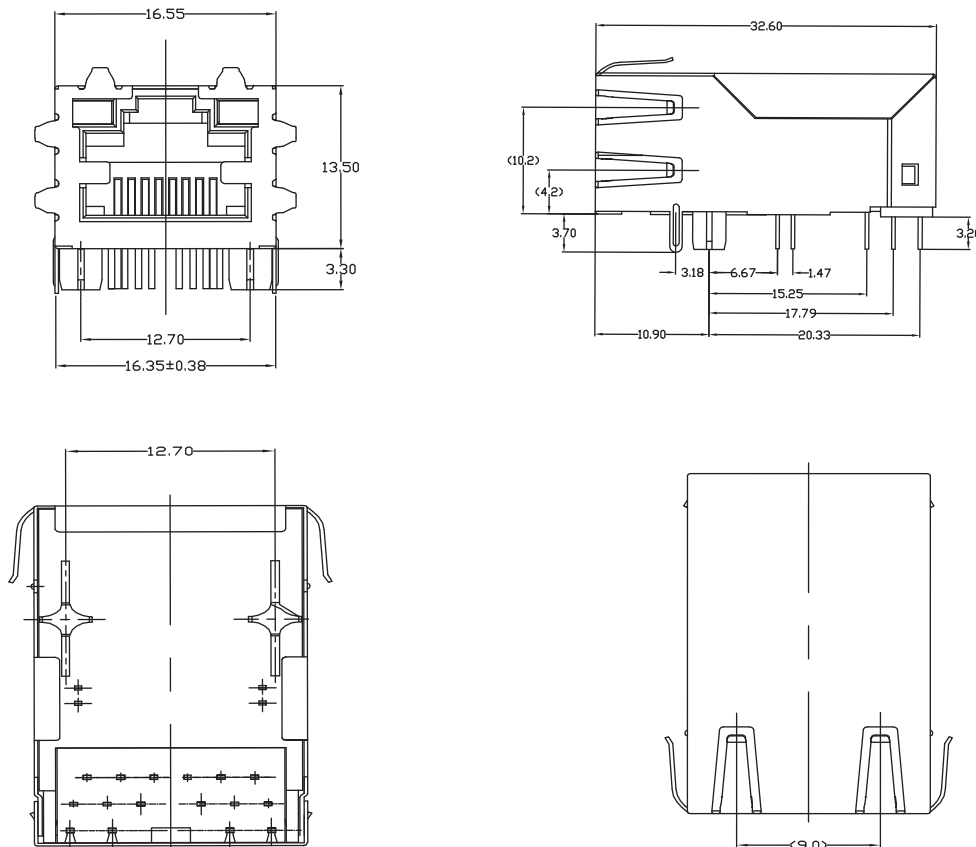
Part Number	OCL(uH Min) @ 100kHz, 0.1V	Turns Ratio (± 2%)		Cross Talk (dB Min)				HI-POT 1.0 mA (V)	
	With 8mA DC Bias	TX	RX	0.5-10MHz	30MHz	50MHz	100MHz	WO/capacitance	W/capacitance
AR11-4210I	350	1CT:1CT	1CT:1CT	-50	-40	-35	-30	1500 AC	2250 DC

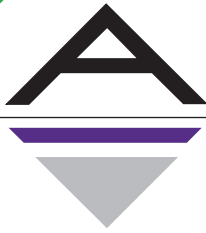
Electrical Specifications @ 25°C

Part Number	Insertion Loss (dB Max)		Return Loss (dB Min) @ Load 100 OHM					CMR (dB Min)
	1-100MHz	100-125MHz (10/100/1000)	1-30MHz	30-50MHz	60MHz	60-80MHz	60-100MHz (10/100/1000)	1-100MHz
AR11-4210I	-1.0	-1.2	-18	-16	-14	-12	-10	-30

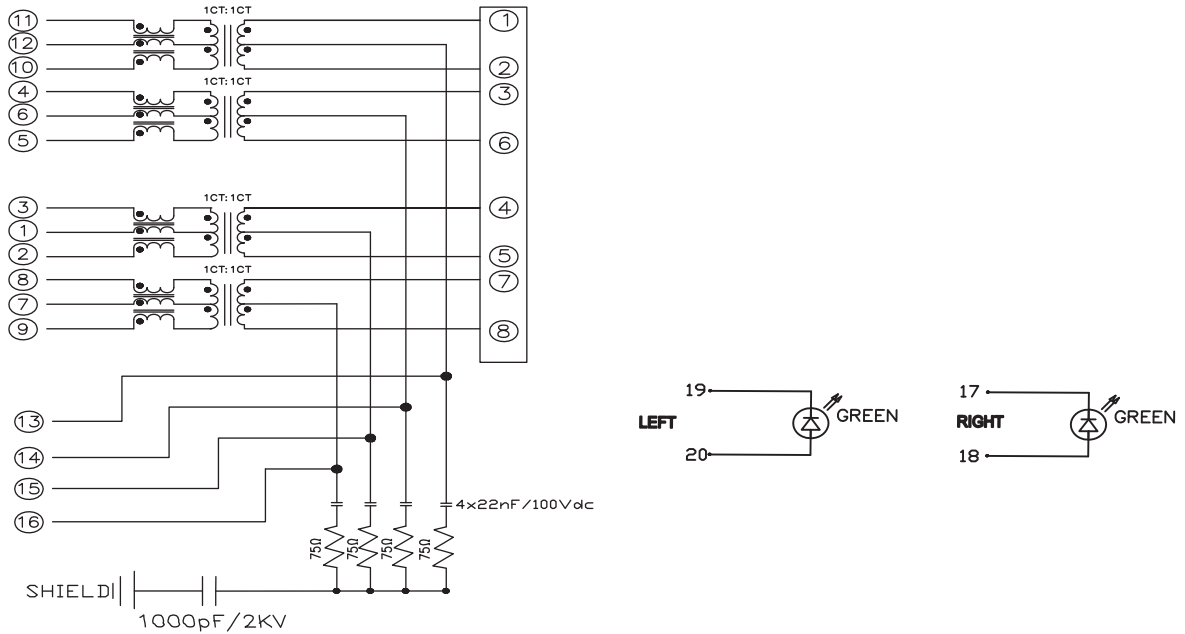
All specifications subject to change without notice.

MECHANICAL

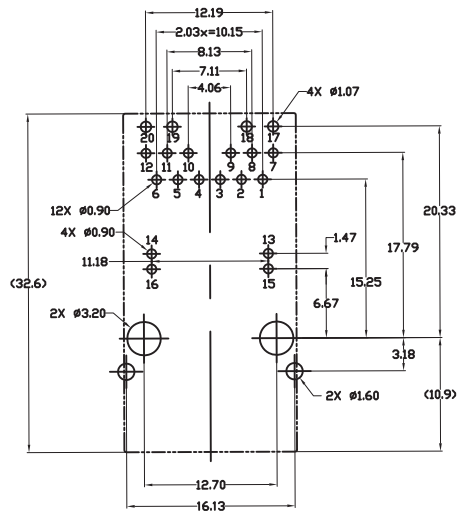




SCHEMATICS



PCB LAYOUT



NOTES

1. Shielded - 0.20mm THICKNESS BRASS C2680 H. PLATING NICKEL 20u' Min.
2. Housing - Standard Material Nylon PA66, Glass Filled Polyester UL94V-0 Standed Color Black.
3. RJ Terminal - Plastic: LCP UL94V-0, Standard Color Black. Pin: 0.35mm Thickness Phos-Bronze C5210 EH. Plating: Nickel 40u'~60u' for all and Sn 100% and Gold Plating.
4. Input Terminal - Plastic: Nylon PA66, Glass Filled, UL94V-0, Standard Color Black. Pin: 0.35mm Thickness SUS430. Plating: Nickel 40u'~60u' for all and Sn 100%.