



- 10/100/1000 Base-T for Ethernet Applications
- Standard operating temp: 0°C to +70°C
- Transmit open circuit inductance (OCL): 350uH (MIN)  
@ 100KHz, 0.1Vrms with 8mA DC Bias
- RJ45 jack cavity conforms to FCC rules and regulations Part 68, SUB Part F

**Electrical Specifications @ 25°C**

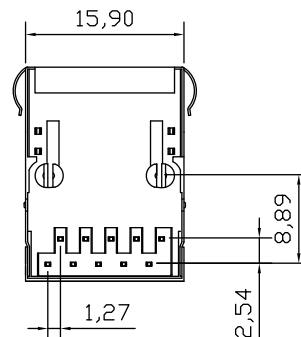
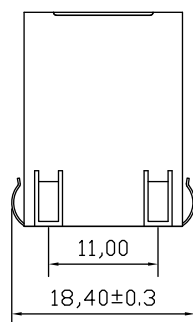
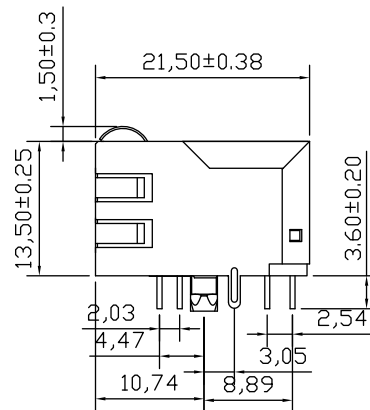
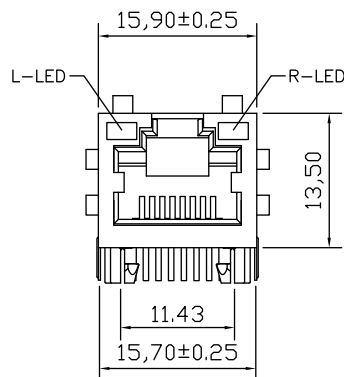
Part Number	OCL(uH Min) @ 100kHz, 0.1V	Turns Ratio chip: cable (± 2%)	Cross Talk (dB Min)				HI-POT 1.0mA (V)	
	With 8mA DC Bias		0.5-10MHz	30MHz	50MHz	100MHz	without capacitance	with capacitance
AR11-4075	350	1CT:1CT	-50	-40	-35	-30	1500	2250

**Electrical Specifications @ 25°C**

Insertion Loss (dB Max)		Return Loss (dB Min) @ Load 100 Ohm					CMR (dB Min)
1-100 MHz	100-125 MHz (10/100/100)	1-30MHz	30-50MHz	60MHz	60-80MHz	80-100MHz (10/100/1000)	1-100 MHz
-1.0	-1.2	-18	-16	-14	-12	-10	-30

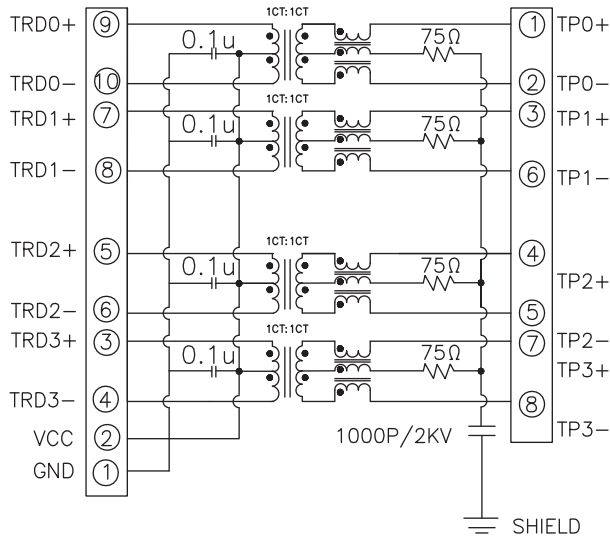
All specifications subject to change without notice.

**MECHANICAL**



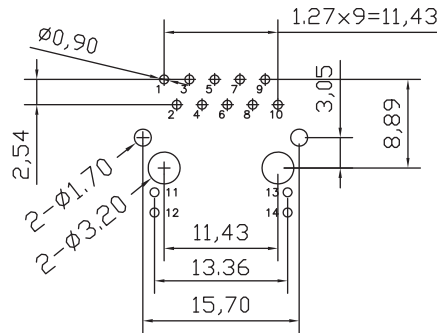


**SCHEMATICS**



LED CODE			
Left LED		Right LED	
+11, -12	-11, +12	+13, -14	-13, +14
Green	Yellow	Green	Yellow

**PCB LAYOUT**



**NOTES**

- Shield- 0.20mm THICKNESS BRASS C2680 H. PLATING NICKEL 20u" Min.
- Housing- Standard Material Nylon66, Glass filled Polyester UL94V-0 Standard Color Black.
- RJ Terminal- Pin Plastic: Nylon66, GF UL94V-0, Standard Color Black.  
Pin: 0.35mm Thickness Phos-Bronze C5210 EH. Plating: Nickel 40u"-60u" for all and Sn 100%, and 50u" Gold Plating.
- Input Terminal: Plastic Nylon66, Glass Filled, UL94V-0, Standard Color Black.  
Pin: 0.35mm Thickness SUS430. Plating: Nickel 40u"-60u" for all and Sn 100%.