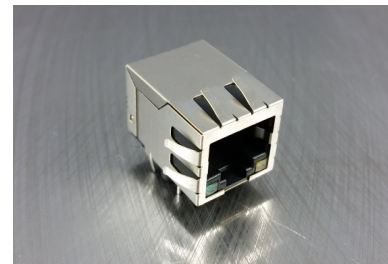




- 10/100 Base-T for Ethernet Applications
- Standard operating temp: 0°C to +70°C
- Transmit open circuit inductance (OCL): 350uH (MIN) @ 100KHz, 0.1Vrms with 8mA DC Bias
- RJ45 jack cavity conforms to FCC rules and regulations Part 68, SUB Part F



Electrical Specifications @ 25°C

Part Number	OCL(μH Min) @ 100kHz, 0.1V With 8mA DC Bias	Turns Ratio Chip : Cable (±2%)	Cross Talk (dB Min)	HI-POT 1.0mA, 60S (VAC)
	1-100MHz			
AR11-4008	350	1CT : 1CT	-30	1500

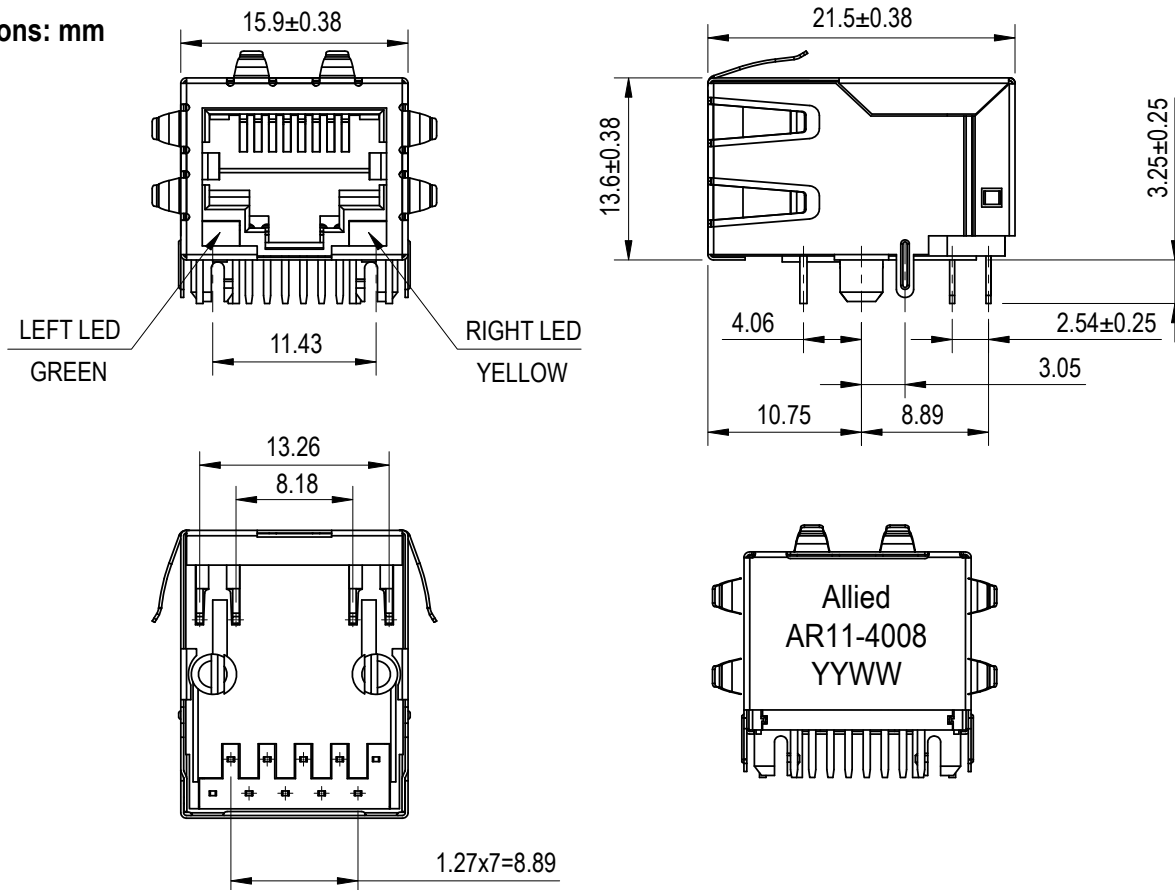
Electrical Specifications @ 25°C

Insertion Loss (dB Max)	Return Loss (dB Min)				CMR (dB Min)
	1-30MHz	30-60MHz	60-80MHz	80-100MHz	
1-100 MHz -1.0	-18	-16	-12	-10	1-100 MHz -30

All specifications subject to change without notice.

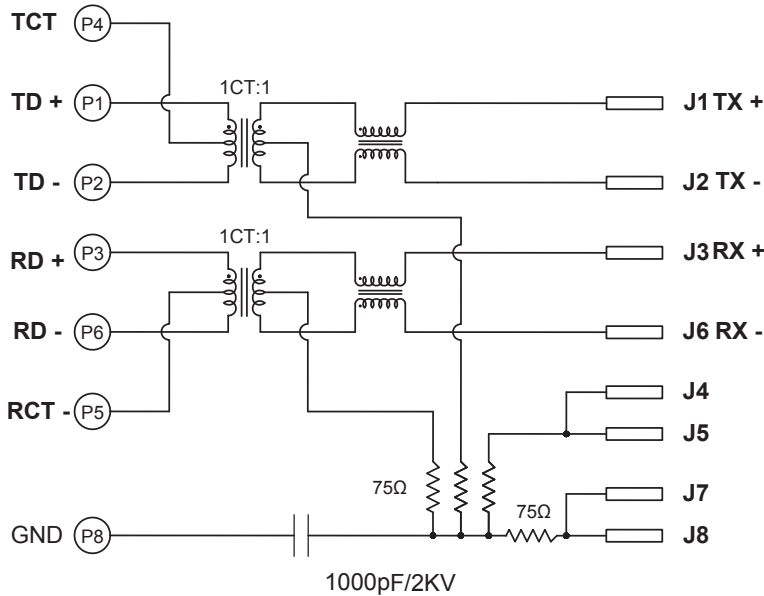
MECHANICAL

Dimensions: mm

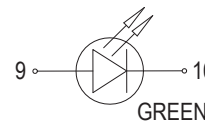




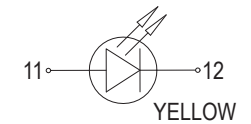
**SCHEMATICS**



LEFT LED  
9+ 10- GREEN



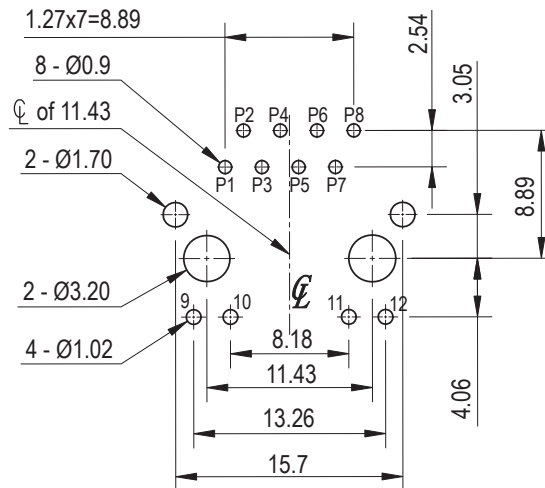
RIGHT LED  
11+ 12- YELLOW



STANDARD LED	WAVELENGTH	FORWARD VOLTAGE
GREEN	565nm	2.5V MAX
YELLOW	585nm	2.5V MAX

With a forward current of 20mA

**PCB LAYOUT**



**NOTES**

- Shield - 0.20 mm Thickness Brass C2680H.  
Plating Nickel 20µ" Min.
- Housing - PLastic: Nylon 66, Glass Fiber Filled  
UL94V-0, Color Black.
- RJ Terminal - PLastic: Nylon 66, Glass Fiber Filled  
UL94V-0, Color Black  
Pin: 0.35mm Thickness Phos-Bronze C5210 EH.  
Plating: Nickel 30µ"-60µ" for all and Sn 100%,  
and Gold Plating 15µ".
- Input Terminal - Plastic: Nylon 66, Glass Fiber Filled  
UL94V-0, Color Black.  
Pin: 0.35mm Thickness SUS430.  
Plating: Sn all over 30µ"-60µ" Nickel