



- 10/100 Base-T Gigabit for Ethernet Applications
- For PoE applications
- Standard operating temp: 0°C to +70°C
- Transmit open circuit inductance (OCL): 350uH (MIN)  
@ 100KHz, 0.1Vrms with 8mA DC Bias
- RJ45 jack cavity conforms to FCC rules and regulations Part 68, SUB Part F

**Electrical Specifications @ 25°C**

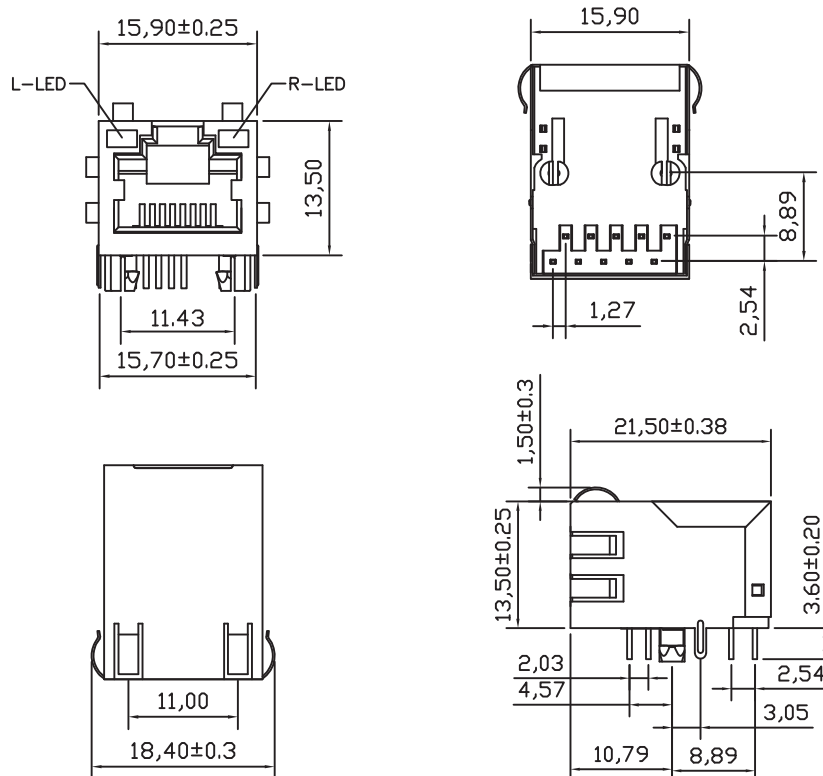
Part Number	OCL(uH Min) @ 100kHz, 0.1V	Turns Ratio chip: cable (± 2%)	Cross Talk (dB Min)				HI-POT 1.0mA(V)	
	With 8mA DC Bias		0.5-10MHz	30MHz	50MHz	100MHz	without capacitance	with capacitance
AR11-3986	350	1CT:1CT	-50	-40	-35	-30	1500	2250

**Electrical Specifications @ 25°C**

Part Number	Insertion Loss (dB Max)		Return Loss (dB Min) @ Load 100 Ohm					CMR (dB Min)
	1-100MHz	100-125 MHz (10/100/100)	1-30MHz	30-50MHz	60MHz	60-80MHz	80-100MHz (10/100/1000)	1-100MHz
AR11-3986	-1.0	-1.2	-18	-16	-14	-12	-10	-30

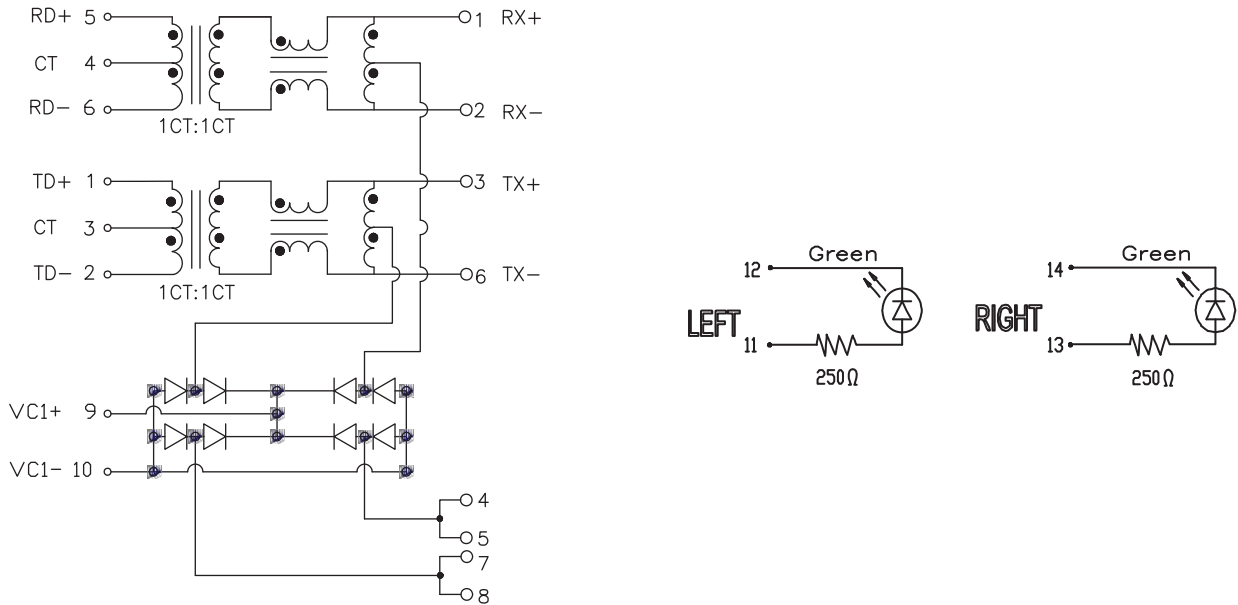
All specifications subject to change without notice.

**MECHANICAL**

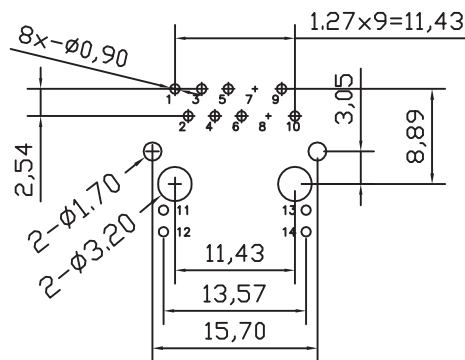




**SCHEMATICS**



**PCB LAYOUT**



**NOTES**

1. Shield- 0.20mm THICKNESS BRASS C2680 H. PLATING NICKEL 20u" Min.
2. Housing- Standard Material LCP, Glass filled Polyester UL94V-0 Standard Color Black.
3. RJ Terminal- Plastic: LCP GF UL94V-0, Standard Color Black.  
Pin: 0.35mm Thickness Phos-Bronze C5210 EH. Plating: Nickel 40u"-60u" for all and Sn 100%, and 6u" and 50" Gold Plating.
4. Input Terminal: Plastic Nylon66, Glass Filled, UL94V-0, Standard Color Black.  
Pin: 0.35mm Thickness SUS430. Plating: Nickel 40u"-60u" for all and Sn 100%.