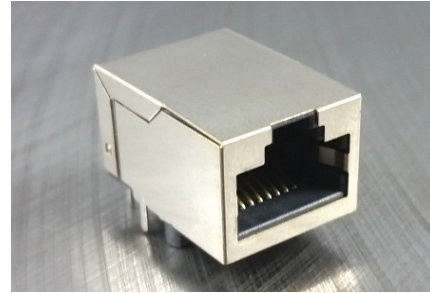


Single Port RJ45 Connector

AR11-3964

- 10/100 BaseT for LAN and other Ethernet Applications
- Transmit open circuit inductance (OCL): 350µH Min @ 100KHz, 0.1Vrms with 8mA DC Bias
- RJ45 jack cavity conforms to FCC rules and regulations Part 68, SUB Part F
- Standard Operating Temp Range: 0°C to +70°C



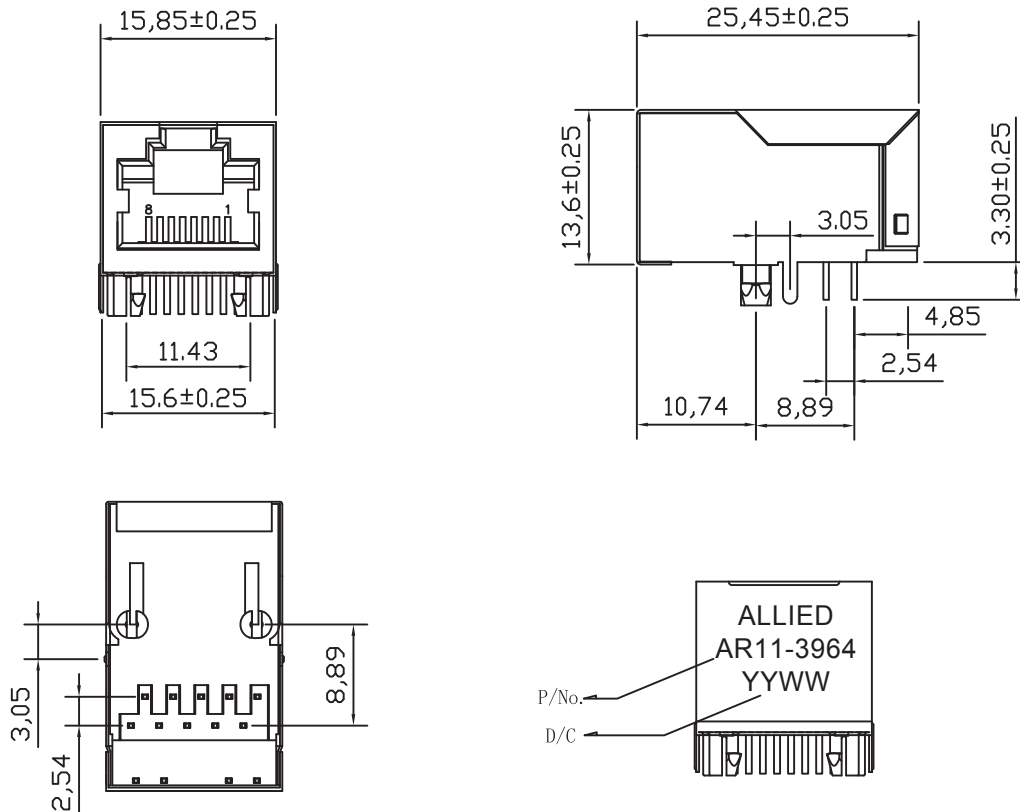
Electrical Specifications @ 25°C								
Part Number	OCL(µH Min) @ 100kHz, 0.1V	Turns Ratio (± 2%)	Cross Talk (dB Min)				HI-POT 1.0mA (V)	
	With 8mA DC Bias		0.5-10MHz	30MHz	50MHz	100MHz	without capacitance	with capacitance
AR11-3964	350	1CT:1CT	-50	-40	-35	-30	1500AC	2250DC

Electrical Specifications @ 25°C								
Part Number	Insertion Loss (dB Max)		Return Loss (dB Min) @ Load 100 Ohm					CMR (dB Min)
	1-100MHz	100-125 MHz (10/100/100)	1-30MHz	30-50MHz	60MHz	60-80MHz	80-100MHz (10/100/1000)	1-100MHz
AR11-3964	-1.0	-1.2	-18	-16	-14	-12	-10	-30

All specifications subject to change without notice.

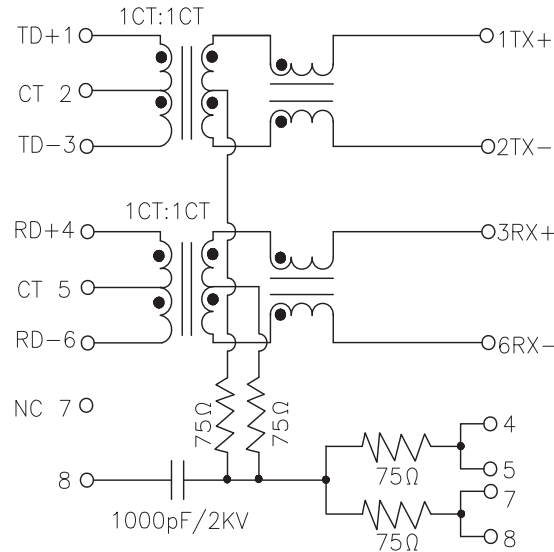
MECHANICAL

UNIT:mm

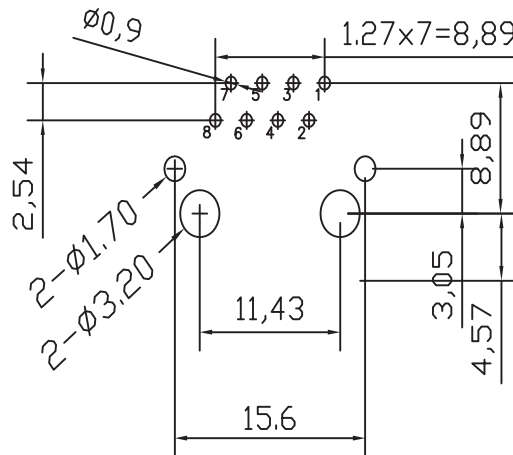




SCHEMATICS



PCB LAYOUT



NOTES

1. Shielded - 0.20mm THICKNESS BRASS C2680-H.
PLATING NICKEL 20u" Min.
2. Housing - Standard Material Nylon66, Glass Filled Polyester UL94V-0 Standard Color Black.
3. RJ Terminal - Plastic: Nylon66 GF UL94V-0, Standard Color Black.
Pini: 0.35mm Thickness Phos-Bronze C5210-EH.
Plating: PLATING Nickel 40u"~60u" for all and PLATING Sn 100u"~120u" ,and Gold Plating 6u".
4. Input Terminal - Plastic: Nylon66, Glass Filled, UL94V-0, Standard Color Black.
Pini: 0.35mm Thickness Phos-Bronze C2680.
Plating: PLATING Nickel 40u"~60u" for all and PLATING Sn 100u"~120u"