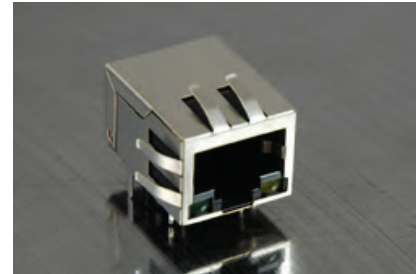




SINGLE PORT RJ45 CONNECTOR

AR11-3909I

- 10/100/1000 Base-T for Ethernet applications
- Impedance: 100OHMS
- Transmit open circuit inductance (OCL): 350uH (MIN) @100KHZ,0.1VRMS with 8mA DC Bias
- RJ45 jack cavity conforms to FCC rules and regulations Part 68, SUB Part F
- Industrial operating temp: -40°C to +85°C

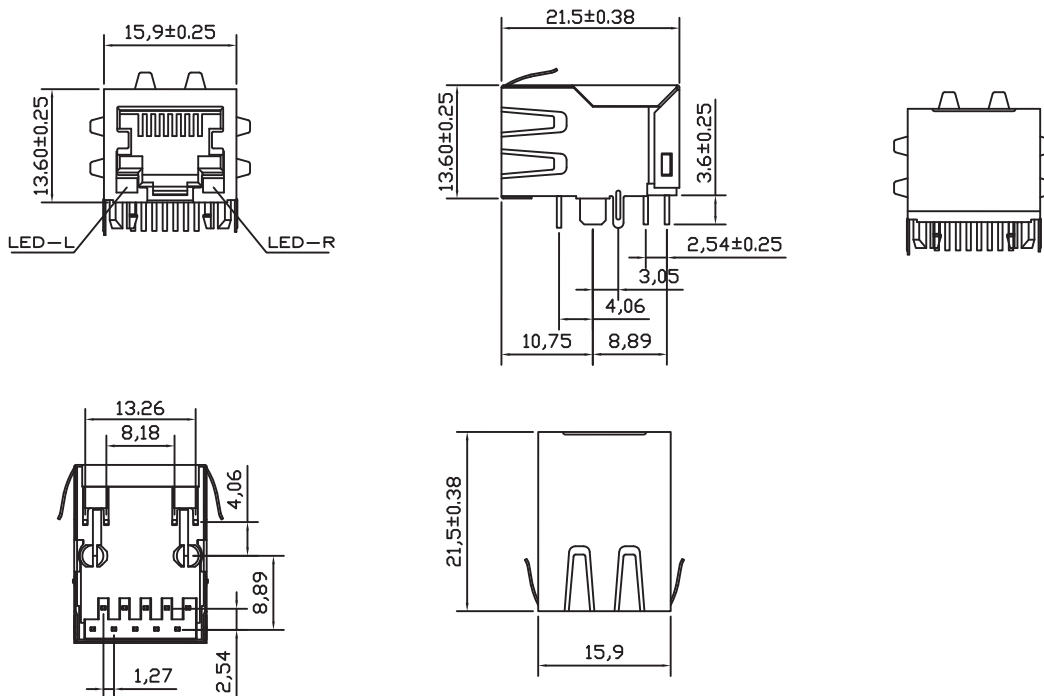


Electrical Specifications @ 25°C								
Part Number	OCL(uH Min) @ 100kHz, 0.1V	Turns Ratio chip: cable (± 2%)	Cross Talk (dB Min)				HI-POT 1.0mA (V)	
	With 8mA DC Bias		0.5-10MHz	30MHz	50MHz	100MHz	without capacitance	with capacitance
AR11-3909I	350	1CT:1CT	-50	-40	-35	-30	1500 AC	2250 DC

Electrical Specifications @ 25°C								
Part Number	Insertion Loss (dB Max)		Return Loss (dB Min) @ Load 100 Ohm					CMR (dB Min)
	1-100MHz	100-125 MHz (10/100/100)	1-30MHz	30-50MHz	60MHz	60-80MHz	80-100MHz (10/100/1000)	1-100MHz
AR11-3909I	-1.0	-1.2	-18	-16	-14	-12	-10	-30

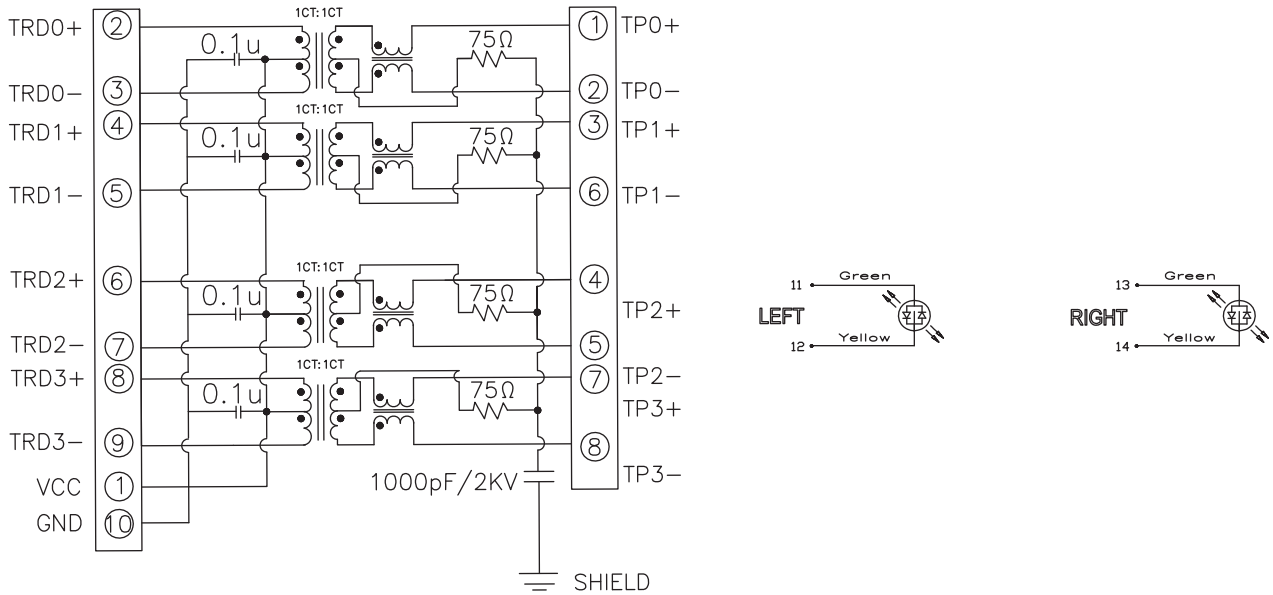
All specifications subject to change without notice.

MECHANICAL

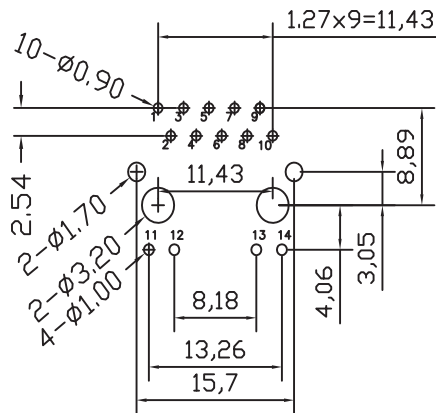




SCHEMATICS



PCB LAYOUT



NOTES

1. Shield- 0.25mm THICKNESS BRASS C2680 H.
PLATING NICKEL 20u" Min.
2. Housing- Standard Material Nylon66, Glass filled
Polyester UL94V-0 Standard Color Black.
3. RJ Terminal- Plastic: PBT UL94V-0, Standard
Color Black.
Pin: 0.35mm Thickness Phos-Bronze C5210 EH.
Plating: Nickel 40u"-60u" for all and Sn 100%, and
50u" Gold Plating.
4. Input Terminal: Plastic PBT, Glass Filled, UL94V-0,
Standard Color Black.
Pin: 0.35mm SUS430.
Plating: Nickel 40u"-60u" for all and Sn 100%.