



- 10/100 Base-T for LAN and other Ethernet Applications
- Impedance: 100OHMS
- Transmit open circuit inductance (OCL): 350uH (MIN) @100KHz,0.1VRMS with 8mA DC Bias
- RJ45 jack cavity conforms to FCC rules and regulations Part 68, SUB Part F
- Standard operating temp: 0°C to +70°C
- Contact factory for Industrial Temp.
- With yellow and green LEDs

Electrical Specifications @ 25°C

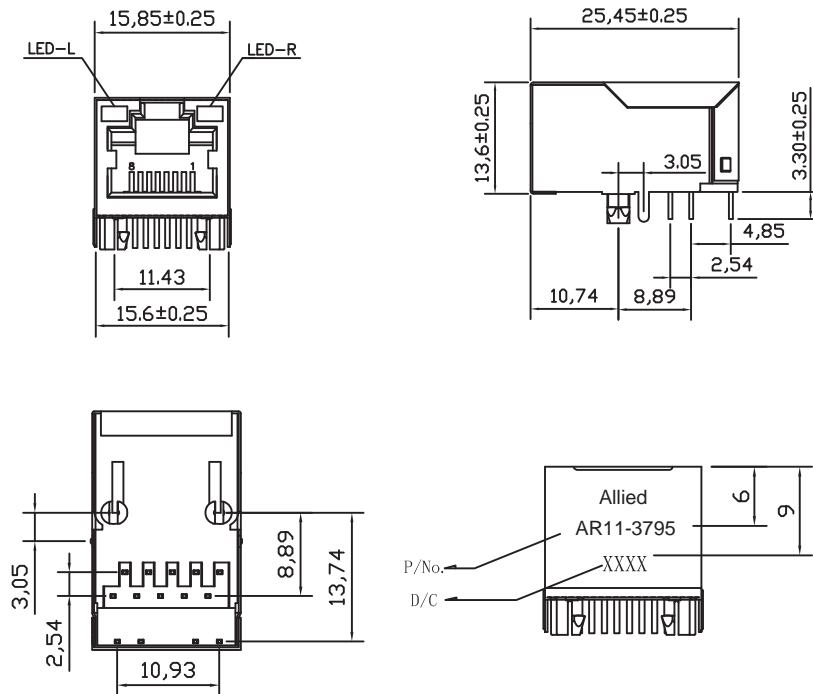
Part Number	OCL(uH Min) @ 100kHz, 0.1V With 8mA DC Bias	Insertion Loss (dB Max) 0.3-100MHz	Return Loss (dB Min)		
			30MHz	50MHz	80MHz
AR11-3795	350	-1.0	-18	-15	-12

Electrical Specifications @ 25°C

Part Number	Cross Talk (dB Min)			CMR (dB Min)			HI-POT (Vrms) 0.5mA/2Sec. 1500
	30MHz	60MHz	100MHz	30MHz	60MHz	100MHz	
AR11-3795	-38	-38	-38	-40	-40	-40	

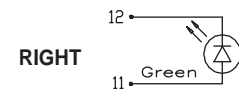
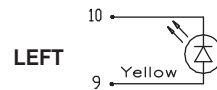
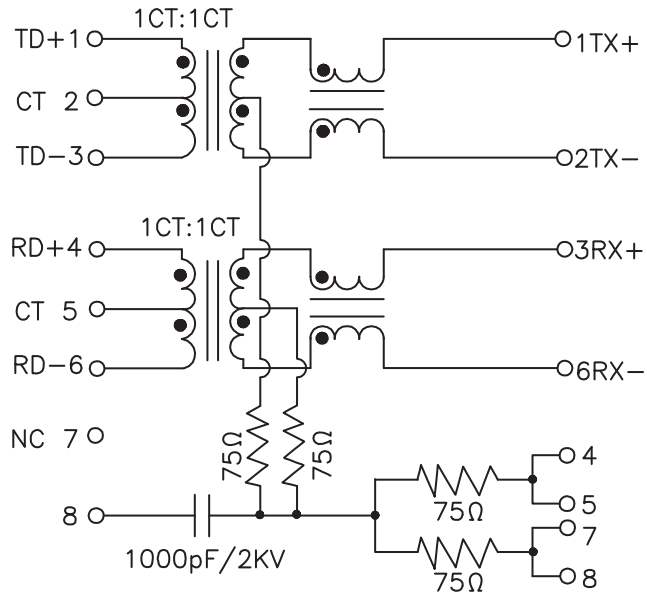
All specifications subject to change without notice.

MECHANICAL





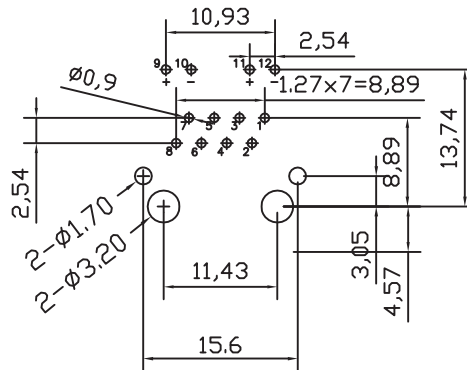
SCHEMATICS



Standard LED	Wavelength	Foward*V(Max)	TYP
Yellow	591nm	2.5v	2.1v
Green	605nm	2.5v	2.2v

With a forward current of 20mA

PCB LAYOUT



NOTES

- Shield- 0.20mm THICKNESS BRASS C2680 H.
PLATING NICKEL 20u" Min.
- Housing- Standard Material Nylon66, Glass filled
Polyester UL94V-0 Standard Color Black.
- RJ Terminal- Plastic: Nylon66 G.F, UL94V-0, Standard Color Black.
Pin: 0.35mm Thickness Phos-Bronze C5210 EH.
Plating: Nickel 40u"-60u", for all and Sn100u"-120u", and Gold Plating 6u".
- Input Terminal- Plastic: Nylon66, Glass Filled, UL94V-0,
Standard Color Black.
Pin: 0.35mm Thickness Phos-Bronze C2680.
Plating: Nickel 40u"-60u" for all and Plating Sn 100u"-120u".