



- 10/100 Base-T for LAN and other Ethernet Applications
- Transmit open circuit inductance (OCL): 350uH (MIN) @100KHz,0.1VRMS with 8mA DC Bias
- RJ45 jack cavity conforms to FCC rules and regulations Part 68, SUB Part F
- Standard operating temp: 0°C to +70°C
- Contact factory for Industrial Temp.
- With yellow and green LEDs

Electrical Specifications @ 25°C

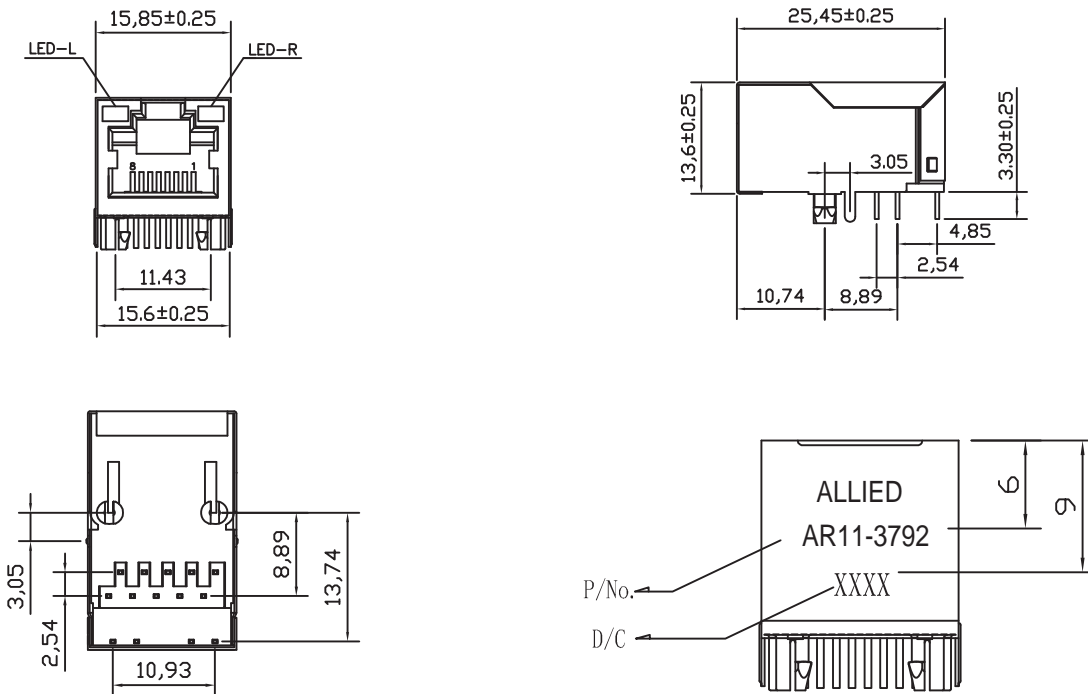
Part Number	OCL(uH Min) @ 100kHz, 0.1V With 8mA DC Bias	Insertion Loss (dB Max) 0.3-100MHz	Return Loss (dB Min)		
			30MHz	50MHz	80MHz
AR11-3792	350	-1.0	-18	-15	-12

Electrical Specifications @ 25°C

Part Number	Cross Talk (dB Min)			CMR (dB TYP)			HI-POT (Vrms) 0.5mA/2Sec. 1500
	30MHz	60MHz	100MHz	30MHz	60MHz	100MHz	
AR11-3792	-38	-38	-38	-40	-40	-40	

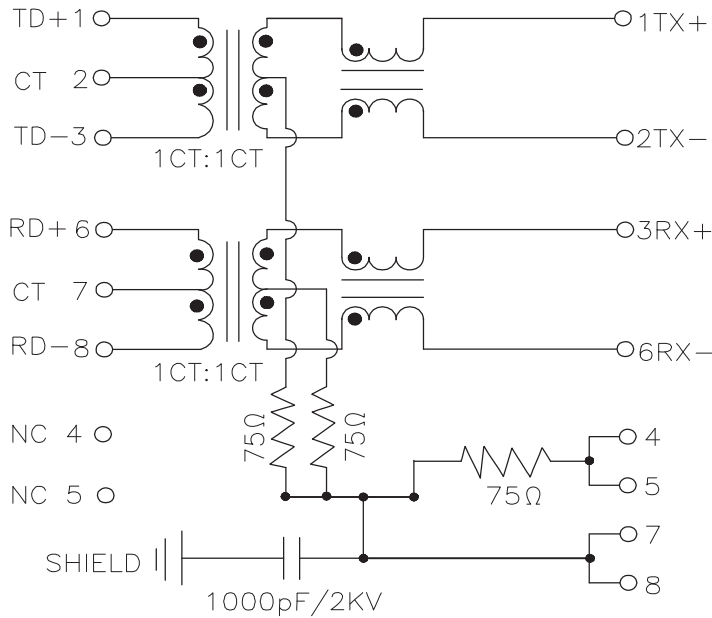
All specifications subject to change without notice.

MECHANICAL





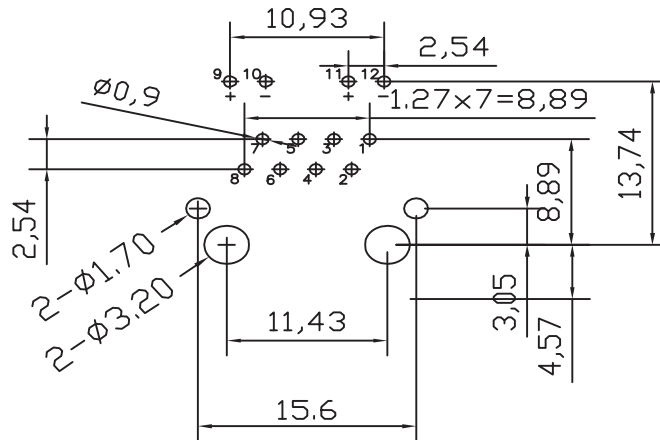
**SCHEMATICS**



Standard LED	Wavelength	Forward*V(MAX)	TYP
Green	605nm	2.5v	2.2v
Yellow	591nm	2.5v	2.1v

With a forward current of 20mA

**PCB LAYOUT**



**NOTES**

- Shield- 0.20mm THICKNESS BRASS C2680 H.  
PLATING NICKEL 20u" Min.
- Housing- Standard Material Nylon66, Glass filled  
Polyester UL94V-0 Standard Color Black.
- Insert Pin- Plastic: Nylon66 GF UL94V-0, Standard Color Black.  
Pin: 0.35mm Thickness Phos-Bronze C5210 EH.  
Plating: Nickel 40u"-60u", for all and Sn 100u"-120u", and Gold Plating 6u".
- Contact Pin- Plastic: Nylon66, Glass Filled, UL94V-0,  
Standard Color Black.  
Pin: 0.35mm Thickness Phos-Bronze C2680.  
Plating: Nickel 40u"-60u" for all and Sn 100u"-120u".