



- 10/100/1000 Base-T Gigabit for Ethernet Application
- Impedance: 100OHMS
- RJ45 jack cavity conforms to FCC rules and regulations Part 68, SUB Part F
- Industrial Temp: -40°C to +85°C
- Contact Factory for Standard Temp.
- Available in other Circuit Designs
- Optional Gold Plating Thickness
- With Green & Yellow LED's
- Other LED Patterns available

**Electrical Specifications @ 25°C**

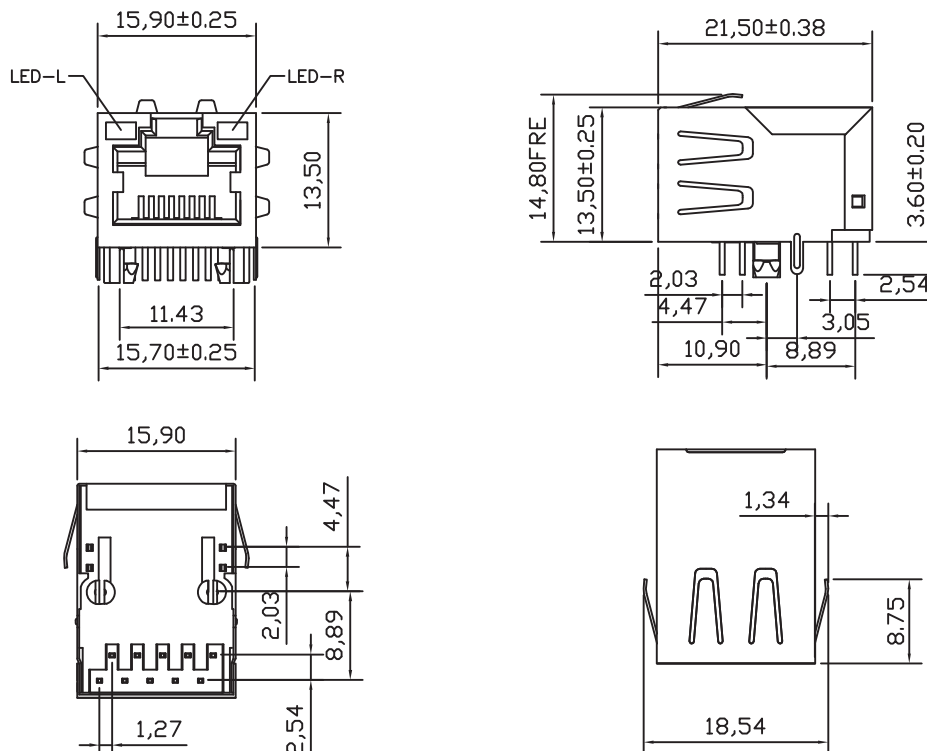
Part Number	OCL(uH Min) @ 100kHz, 0.1V	Turns Ratio chip: cable (±2%)	Insertion Loss (dB Max)	Return Loss (dB Min)		
	With 8mA DC Bias		1-100MHz	1-30MHz	30-60MHz	60-80MHz
AR11-3786I	350	1CT:1CT	-1.0	-18	-18-20Log(F/30MHz)	-12

**Electrical Specifications @ 25°C**

Cross Talk (dB Min)					CMR (dB Min)					CDMR (dB Min)					HI-POT (Vrms)
0.5-1MHz	10MHz	30MHz	50MHz	100MHz	0.3-1MHz	10MHz	30MHz	60MHz	100MHz	0.3-1MHz	10MHz	30MHz	60MHz	100MHz	0.5mA/2Sec.
-50	-50	-40	-35	-30	-50	-47	-42	-37	-30	-50	-50	-50	-45	-40	1500

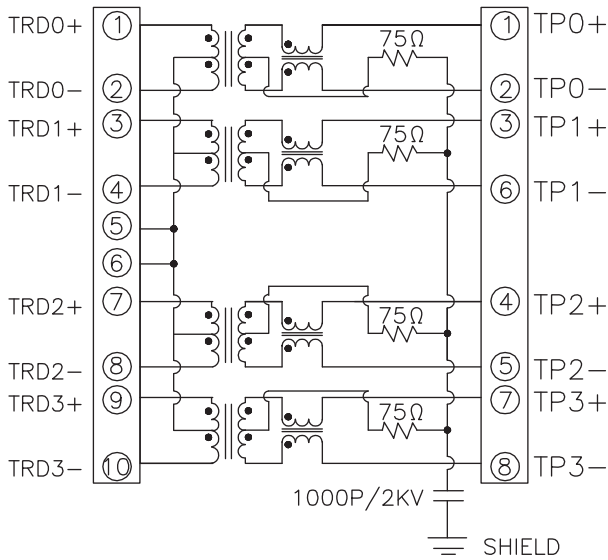
All specifications subject to change without notice.

**MECHANICAL**





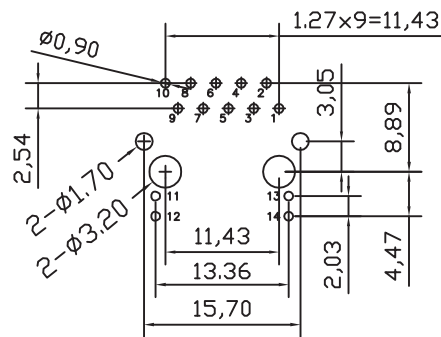
**SCHEMATICS**



LED Schematic Code:  
L  
(See chart below)

LED Code				
	Left LED		Right LED	
	+11, -12	-11, +12	+13, -14	13, +14
A	Green	-	Yellow	-
B	Yellow	-	Green	-
C	Green	-	Green	-
D	-	Green	-	Yellow
E	-	Yellow	-	Green
F	Yellow	-	Orange	Green
G	Orange	Green	Yellow	-
H	Green	Yellow	Green	-
I	Green	Orange	Yellow	-
J	Green	Yellow	Green	Yellow
K	Green	-	Green	Yellow
L	Yellow	-	Green	Orange
M	Green	Orange	Green	-

**PCB LAYOUT**



**NOTES**

- Shield- 0.20mm THICKNESS BRASS C2680 H. PLATING NICKEL 20u" Min.
- Housing- Standard Material FR52, Glass filled Polyester UL94V-0 Standard Color Black.
- RJ Terminal- Plastic: FR52 GF UL94V-0, Standard Color Black.  
Pin: 0.35mm Thickness Phos-Bronze C5210 EH. Plating: Nickel 40u"-60u" for all and Sn 100%, and 3u" Gold Plating.
- Input Terminal: Plastic FR2, Glass Filled, UL94V-0, Standard Color Black.  
Pin: 0.35mm Thickness Phos-Bronze SUS430. Plating: Nickel 40u"-60u" for all and Sn 100%.