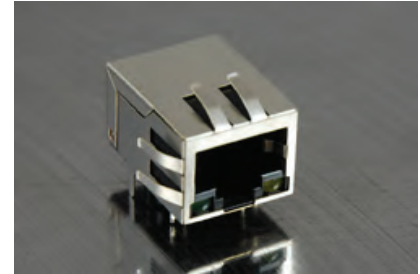




Single Port RJ45 Connector

AR11-37571

- 10/100 Base-T for Ethernet Applications
- For PoE Applications. Compliant with IEEE302.3af
- Impedance: 100OHMS
- RJ45 jack cavity conforms to FCC rules and regulations Part 68, SUB Part F
- Industrial Temp: -40°C to +85°C
- Contact factory for Standard Operating Temp.
- Optional Gold Plating Thickness
- Other LED Patterns available
- With Green and Yellow LED's
- Full EMI Fingers



Electrical Specifications @ 25°C

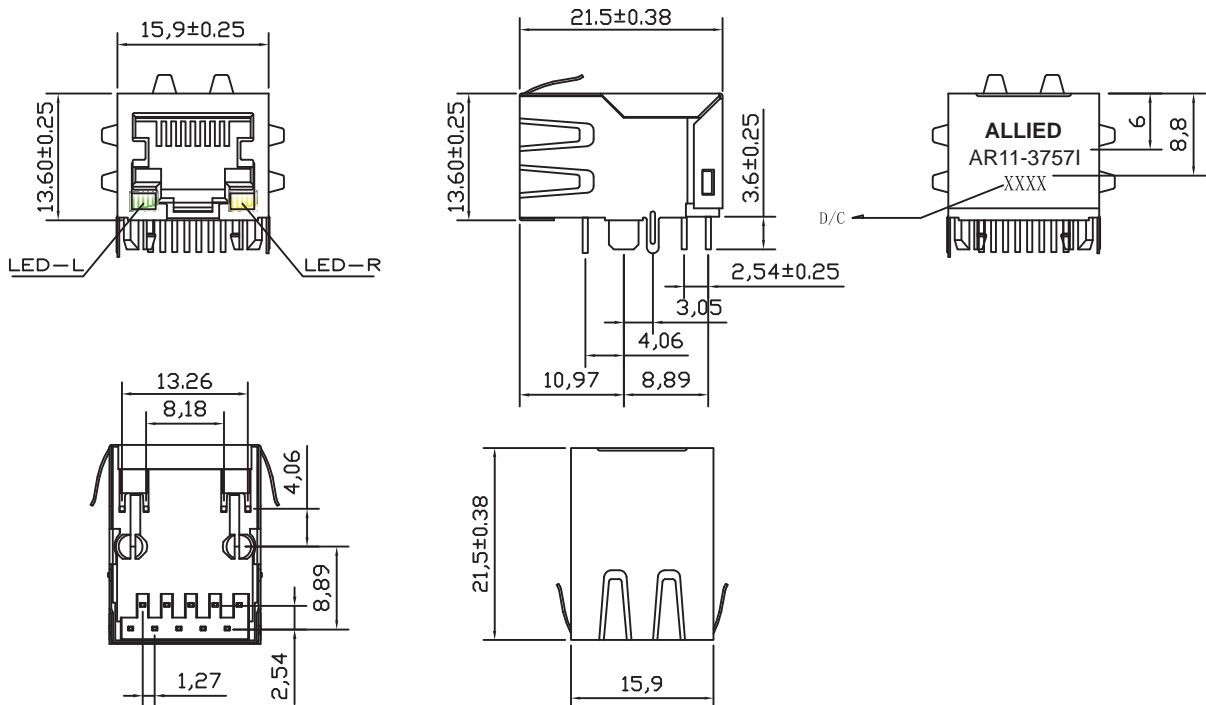
| Part Number | OCL(uH Min) @ 100kHz, 0.1V | Turns Ratio chip: cable (±2%) | Insertion Loss (dB Max) | Return Loss (dB Min) | | |
|-------------|-------------------------------|-------------------------------------|----------------------------|-------------------------|--------------------|----------|
| | With 11mA DC Bias | | 1-100MHz | 1-30MHz | 30-60MHz | 60-80MHz |
| AR11-37571 | 350 | 1:1 | -1.0 | -18 | -18-20Log(F/30MHz) | -12 |

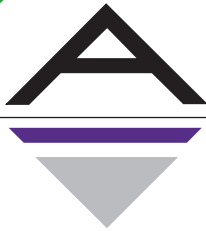
Electrical Specifications @ 25°C

| Cross Talk (dB Min) | | | | | CMR (dB Min) | | | | | CDMR (dB Min) | | | | | HI-POT (Vrms) |
|------------------------|-------|-------|-------|--------|-----------------|-------|-------|-------|--------|------------------|-------|-------|-------|--------|------------------|
| 0.5-1MHz | 10MHz | 30MHz | 50MHz | 100MHz | 0.3-1MHz | 10MHz | 30MHz | 60MHz | 100MHz | 0.3-1MHz | 10MHz | 30MHz | 60MHz | 100MHz | 1.0mA/3Sec. |
| -50 | -50 | -40 | -35 | -30 | -50 | -47 | -42 | -37 | -30 | -50 | -50 | -50 | -45 | -40 | 1500 |

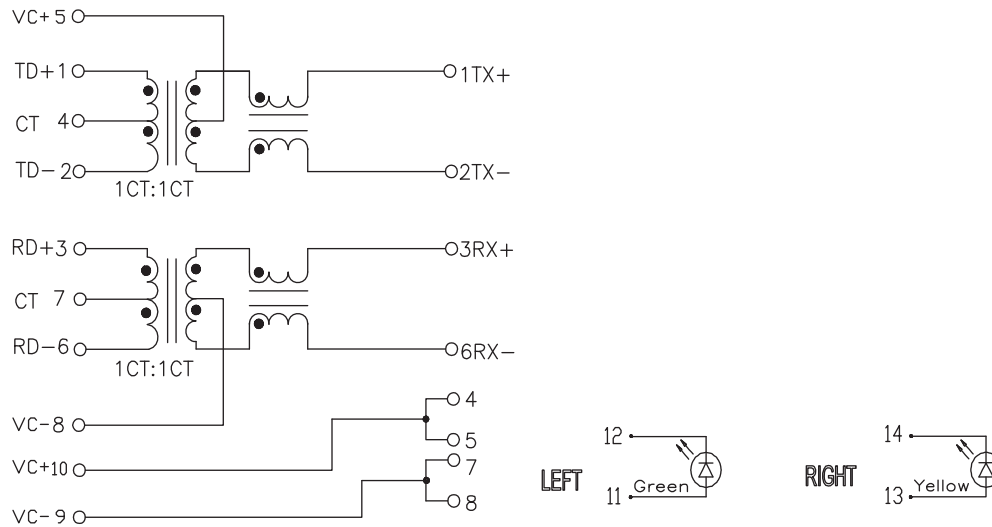
All specifications subject to change without notice.

MECHANICAL

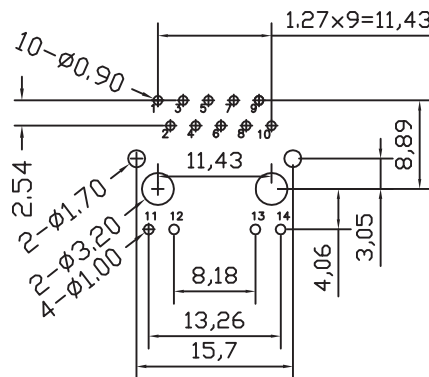




SCHEMATICS



PCB LAYOUT



NOTES

- Shield- 0.20mm THICKNESS BRASS C2680 H. PLATING NICKEL 20u" Min.
- Housing- Standard Material Nylon 66, Glass filled Polyester UL94V-0 Standard Color Black.
- RJ Terminal- Plastic: Nylon 66 GF, UL94V-0, Standard Color Black.
Pin: 0.35mm Thickness Phos-Bronze C5210 EH. Plating: Nickel 40u"-60u" for all and Sn 100%, and 6u" Gold Plating.
- Input Terminal- Nylon 66, Glass Filled, UL94V-0, Standard Color Black.
Pin: 0.35mm SUS430
Plating: Nickel 40u"-60u" for all and Sn 100%.