



- 10/100 Base T Gigabit for Ethernet Applications
- RJ45 jack cavity conforms to FCC rules and regulations Part 68, SUB Part F
- Operating Temp: 0°C to +70°C
- Contact Factory for Industrial Temp.
- Available in other Circuit Designs
- Optional Gold Plating Thickness
- Other LED Patterns available

Electrical Specifications @ 25°C

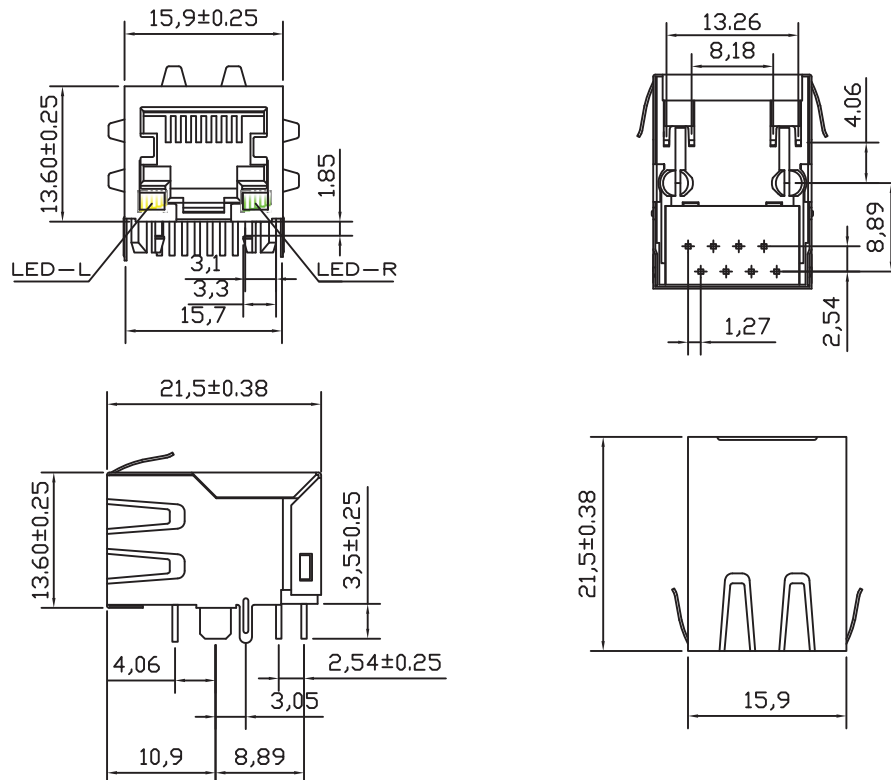
Part Number	OCL(uH Min) @ 100kHz, 0.1V	Turns Ratio (± 2%)		Insertion Loss (dB Max)		Return Loss (dB Min) @ Load 100 Ohm				
	With 8mA DC Bias	TX	RX	1-100MHz	100-125MHz 10/100/1000MHz	1-30MHz	30-50MHz	60MHz	60-80MHz	80-100MHz 10/100/1000MHz
AR11-3728	350	1:1	1:1	-1.0	-1.0	-18	-16	-14	-12	-10

Electrical Specifications @ 25°C

Cross Talk (dB Min)				HI-POT 1.0mA (V)		CMR (dB Min)
0.5-10MHz	30MHz	50MHz	100MHz	Without Capacitance	With Capacitance	1-100 MHz
-50	-40	-35	-30	1500 AC	2250 DC	-30

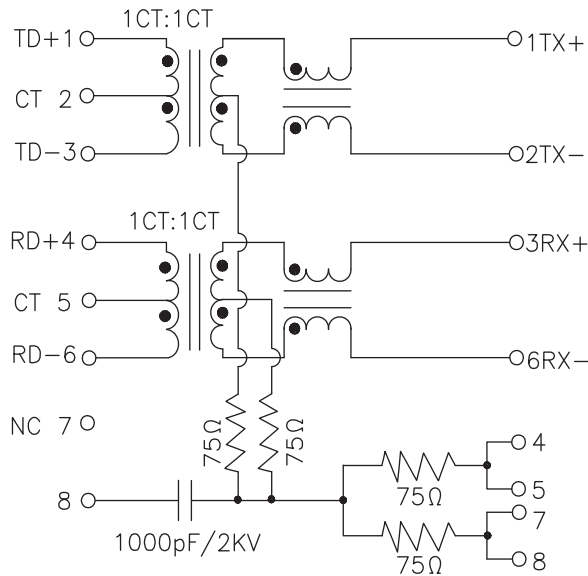
All specifications subject to change without notice.

MECHANICAL



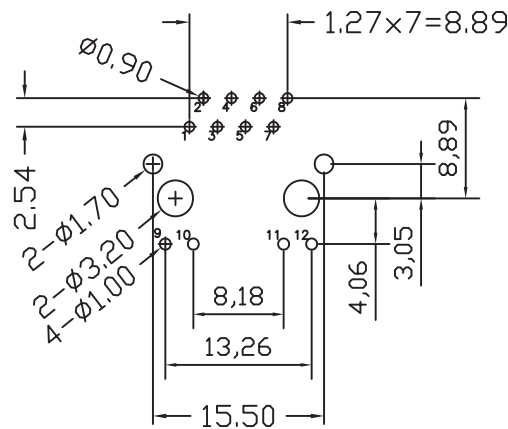


SCHEMATICS



LED Schematic Code			
Left LED		Right LED	
+9, -10	-9, +10	+11, -12	-11, +12
Yellow		Green	

PCB LAYOUT



NOTES

- Shield- 0.20mm THICKNESS BRASS C2680 H. PLATING NICKEL 20u" Min
- Housing- Standard Material Nylon 66, 30% Glass filled Polyester UL94V-0 Standard Color Black.
- RJ Terminal- Plastic: PBT 30% G.F, UL94V-0, Standard Color Black.
Pin: 0.35mm Thickness Phos-Bronze C5210 EH. Plating: Nickel 40u"-60u" for all and Sn 100%, and 50u" Gold Plating.
- Input Terminal: Plastic: PBT, 30% Glass Filled, UL94V-0, Standard Color Black.
Pin: 0.35mm Thickness Phos-Bronze C2680. Plating: Nickel 40u"-60u" for all and Sn 100%.