



# 10 BASE-T SINGLE PORT SURFACE MOUNT MAGNETICS

- Meets IEEE 802.3af & ANSI X 3.263
- Surface mount, open header construction
- Standard operating temp: 0°C to +70°C (see footnote)
- Industrial operating temp: -40°C to +85°C (see footnote)

## Electrical Specifications @25°C

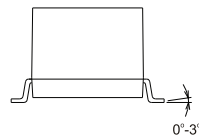
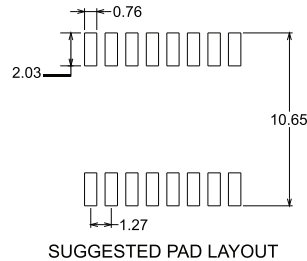
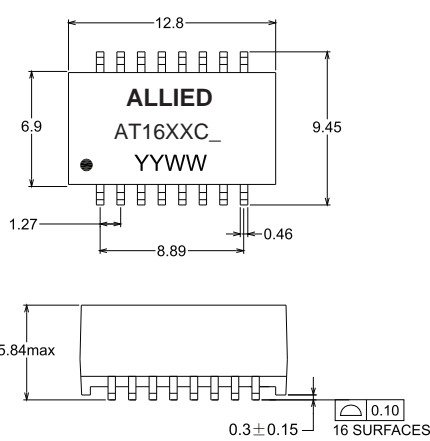
| Part Number | Turns Ratio (±5%)   | OCL (uH Min) | Lk (uH Max) | CWW (pF Max) | DCR(25°C) (Ω Max) | HI-POT  | Primary Pins |
|-------------|---------------------|--------------|-------------|--------------|-------------------|---------|--------------|
|             | Pri:Sec             | 100KHz,0.2V  | 100KHz 0.2V | 100KHz 0.2V  | Pri               |         |              |
| AT1602C_    | 1CT:1CT & 1CT:2.5CT | 350          | 0.5         | 15           | 0.8               | 2000VAC | 1-3,6-8      |
| AT1604C_    | 1CT:2CT & 1CT:1CT   | 200          | 0.3         | 12           | 1.0               | 1500VAC | 1-3,6-8      |
| AT1605C_    | 1CT:1CT & 1CT:2.5CT | 200          | 0.4         | 15           | 0.4               | 2000VAC | 1-3,6-8      |
| AT1609C_    | 1:1                 | 350 ± 25%    | 0.3         | 16           | 0.35              | 1500VAC | 1-2,4-5,7-8  |
| AT1616C_    | 1CT:1CT & 1:1.41CT  | 50&70        | 0.5         | 12           | 0.6               | 1500VAC | 1-3,6-8      |
| AT1617C_    | 0.3:1               | 2 ± 20%      | 0.08        | 6            | 0.1               | 1500VAC | 1-3,6-8      |

\*Complete part number by inserting "S" for Standard Temp or "I" for Industrial Temp.

All specifications subject to change without notice.

## MECHANICAL

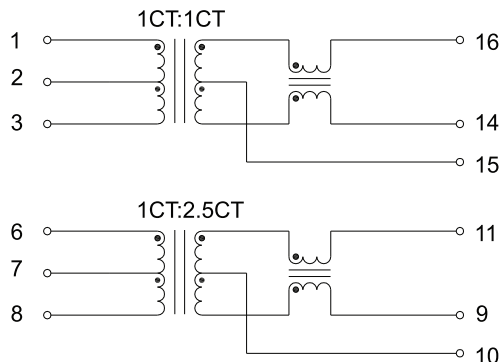
AT1602C\_, AT1604C\_, AT1605C\_, AT1609C\_, AT1616C\_, AT1617C\_



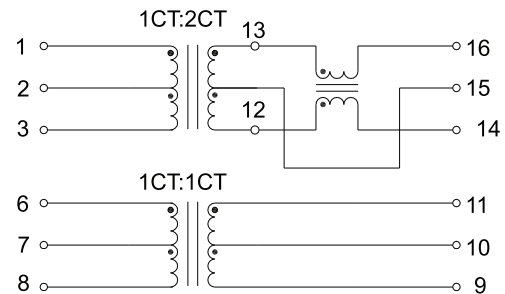
Unless otherwise specified all tolerances are: ±0.25 in mm

## SCHEMATICS

AT1602C\_



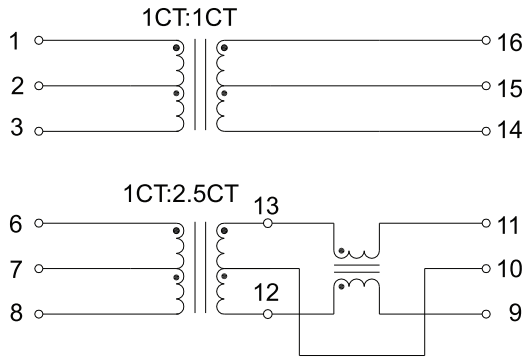
AT1604C\_



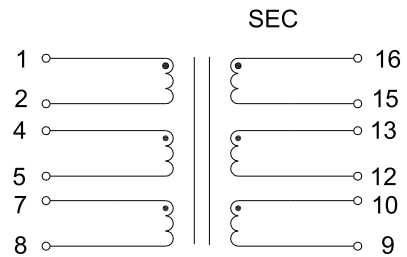


10 BASE-T SINGLE PORT SURFACE MOUNT MAGNETICS

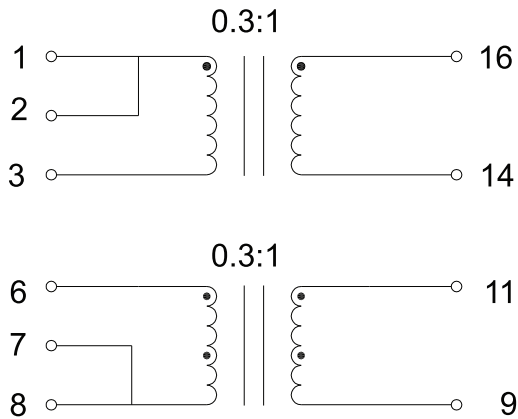
AT1605C\_



AT1609C\_



AT1617C\_



AT1616C\_

