



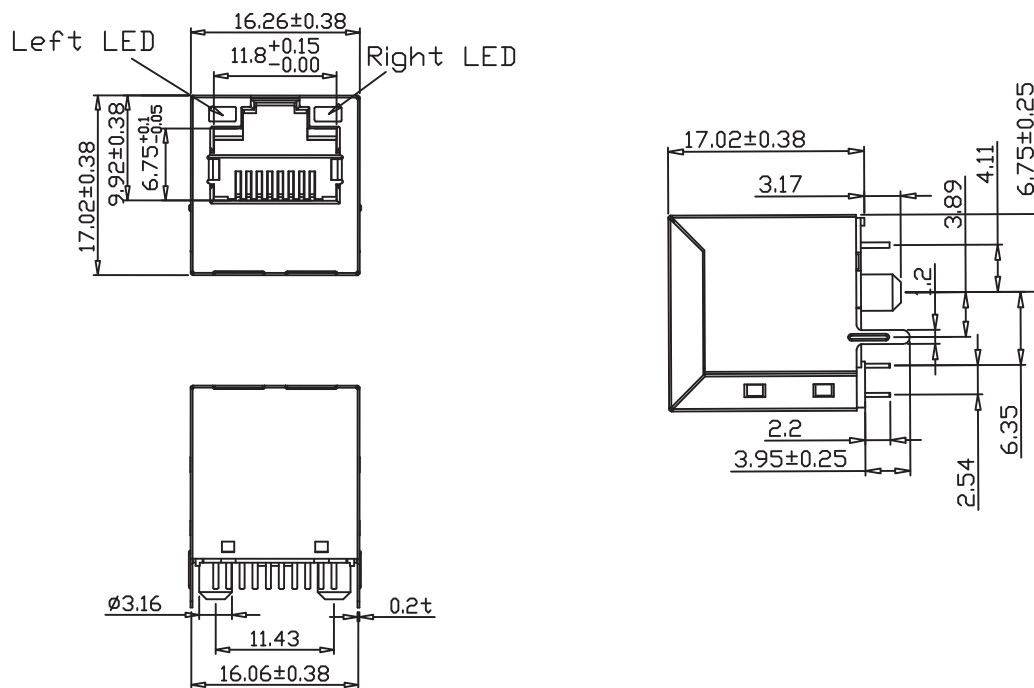
- 100/1000 Base-T Gigabit for Ethernet Applications
- Impedance: 100OHMS
- RJ45 jack cavity conforms to FCC rules and regulations Part 68, SUB Part F
- Standard Operating Temp: 0°C to +70°C
- Available in other Circuit Designs
- Optional Gold Plating Thickness

Electrical Specifications @ 25°C						
Part Number	OCL(uH Min) @ 100kHz, 0.1V	Turns Ratio chip: cable (±2%)	Insertion Loss (dB Max)	Return Loss (dB Min)		
	With 8mA DC Bias		1-100MHz	1-30MHz	30-60MHz	60-80MHz
ARV11-3832	350	1CT:1CT	-1.0	-18	-18-20Log(F/30MHz)	-12

Electrical Specifications @ 25°C																
Cross Talk (dB Min)					CMR (dB Min)					CDMR (dB Min)					HI-POT (Vrms)	
0.5-1MHz	10MHz	30MHz	50MHz	100MHz	0.3-1MHz	10MHz	30MHz	60MHz	100MHz	0.3-1MHz	10MHz	30MHz	60MHz	100MHz	1.0mA/3Sec.	
-50	-50	-40	-35	-30	-50	-47	-42	-37	-30	-50	-50	-50	-45	-40	1500	

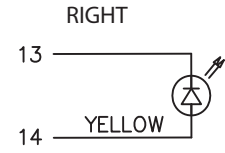
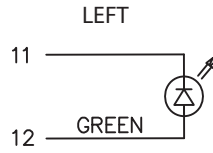
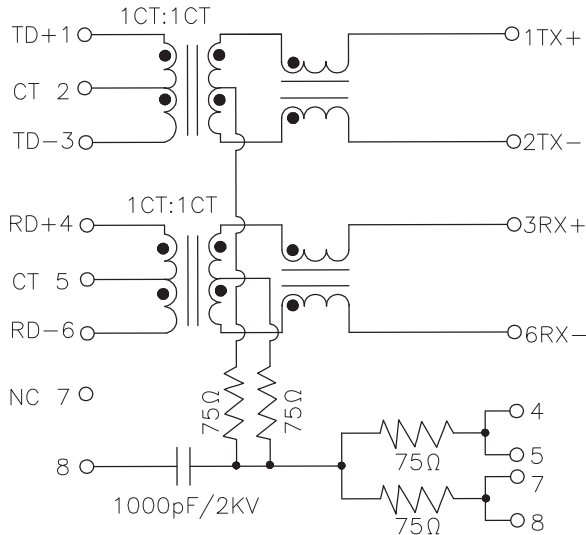
All specifications subject to change without notice.

## MECHANICAL





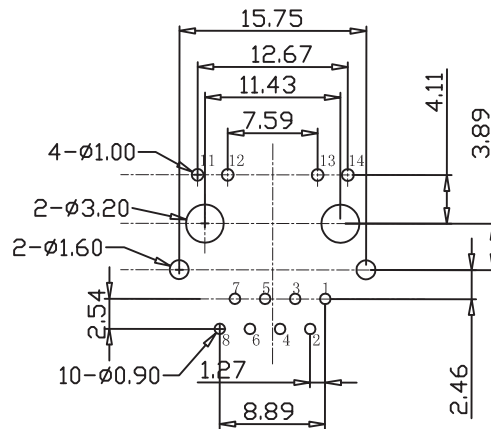
**SCHEMATICS**



Standard LED	Wavelength	Vf @If=20mA	Ir @Vr=5V
Green	565nm	1.7-2.6 V	10uA max.
Yellow	590nm	1.7-2.6 V	10uA max.

With a forward current of 20mA

**PCB LAYOUT**



**NOTES**

- Shield- 0.20mm THICKNESS BRASS C2680 H.  
PLATING NICKEL 20u" min
- Housing- Standard Material PA66, Glass filled  
Polyester UL94V-0 Standard Color Yellow
- RJ Terminal- Plastic: PA66, UL94V-0, Standard  
Color Yellow.  
Pin: 0.35mm Thickness Phos-Bronze C5210 EH.  
Plating: Nickel 40u"-60u" for all and Sn 100%, and  
6u", 15u", 30u", 50u" Gold Plating.
- Input Terminal: Plastic PA66, Glass Filled, UL94V-0,  
Standard Color Yellow.  
Pin: 0.35mm Thickness C5191-H  
Plating: Nickel 40u"-60u" for all and Sn 100%.