



Single Port RJ45 CONNECTOR WITH INTEGRATED MAGNETICS, TAB DOWN

- 10/100 Base-T Ethernet Application
- Meets IEEE 802.3 & ANSI X 3.263 standards
- Impedance: 100OHMS
- Transmit open circuit inductance (OCL): 350uH (MIN) @100KHz,0.1VRMS with 8mA DC Bias
- Always EU RoHS/ELV Compliant, wave solder capable to 265°C
- RJ45 jack cavity conforms to FCC rules and regulations Part 68, SUB Part F
- Standard Operating Temperature: 0°C to +70°C

Electrical Specifications @ 25°C

Part Number	OCL(uH Min) @ 100kHz, 0.1V	Turns Ratio chip: cable (±3%)	Insertion Loss (dB Max)	Return Loss (dB Min)		
	With 8mA DC Bias		0.5-100MHz	0.5-30MHz	30.1-60MHz	60.1-80MHz
ARA009-0402-00	350	1CT:1CT	1.1	18	18-20*log(f/30)	12

Electrical Specifications @ 25°C

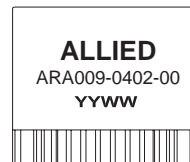
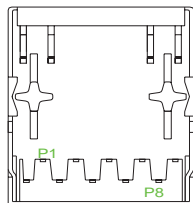
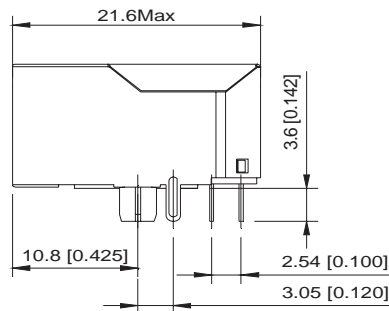
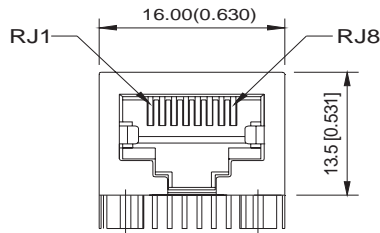
Part Number	EMI Fingers	LED (L/R)	Cross Talk (dB Min)		CMRR (dB Min) 0.5-100MHz	HI-POT (VDC)
			0.5-40MHz	40.1-100MHz		
ARA009-0402-00	NO	NO	35	33-20*log(f/50)	30	2250

All specifications subject to change without notice.

MECHANICAL

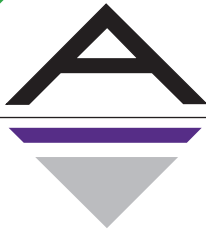
ARA009-0402-00

Unless otherwise specified all tolerances are: ±0.25 in mm



BACK VIEW

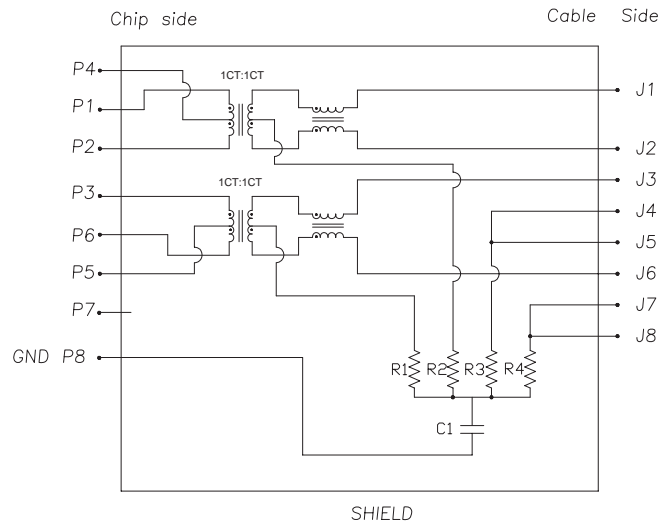
Unless otherwise specified all tolerances are: ±0.25mm



Single Port RJ45 CONNECTOR WITH INTEGRATED MAGNETICS, TAB DOWN

SCHEMATICS

ARA009-0402-00



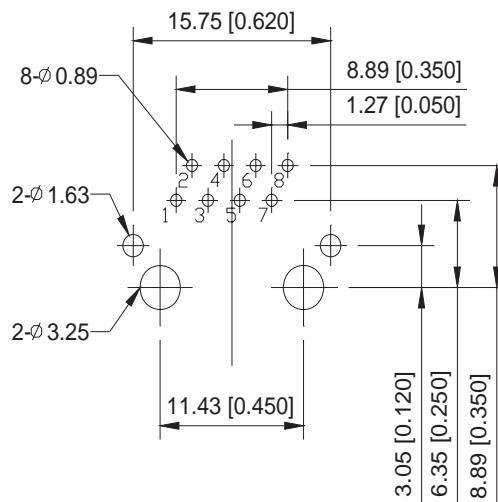
Notes:

1. R1-R4=75OHMS, 1/16W, 5% Resistors.
2. C1=1000pF, 2KV Decoupling Capacitor.

PCB LAYOUT

ARA009-0402-00

Unless otherwise specified all tolerances are: ±0.05 in mm



MATERIALS

ARA009-0402-00

- Housing: PBT, Flammability Rating 94V-O.
- Insert Base: PBT, BK, Flammability Rating 94V-O.
- Shell: Brass, 0.20mm thick, Min nickel plating.
- Mold Jack Contacts: Phosphor Bronze, 0.35mm thick, 6u" Gold plated.