



Single Port RJ45 & Dual Port USB Combo

AR1USB2-3699I

- 10/100/1000 Base T Gigabit Ethernet Application
- Dual USB 2.0
- Industrial Operating Temp: -40°C to +85°C
- Contact the Factory for Standard Temp.



Electrical Specifications @ 25°C

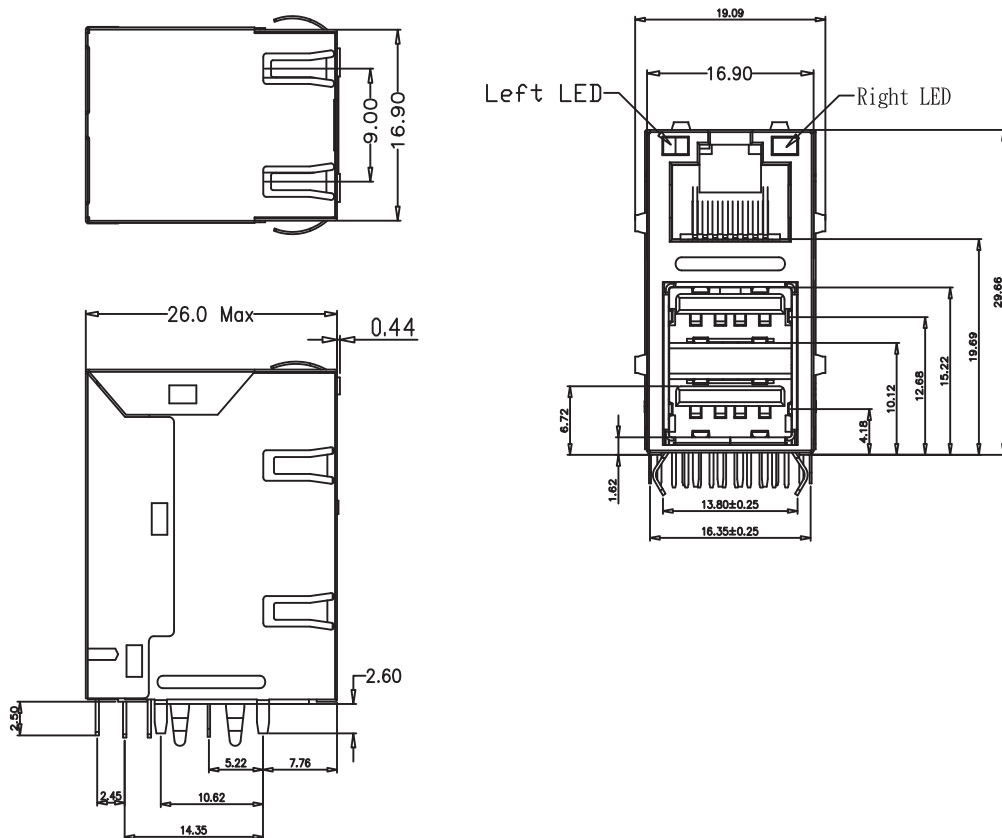
Part Number	OCL(uH Min) @ 100kHz, 100mV With 8mA DC Bias	Turn Ratio ±5%	Insertion Loss (dB Max)	Return Loss (dB Min)	
			0.1-125MHz	0.5-40MHz	40-100MHz
AR1USB2-3699I	350	1:1	-1.2	-16	-10+20 log(f80MHz)

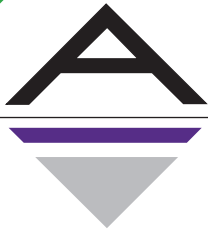
Electrical Specifications @ 25°C

Part Number	Cross Talk (dB Min)	CM-CM Rejection (dB Min)	CM-DM Rejection (dB Min)	HI-POT (VAC) 60Sec.
	100KHz-100MHz	100KHz-100MHz	100KHz-100MHz	
AR1USB2-3699I	-35	-30	-35	1500

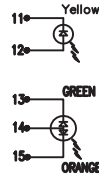
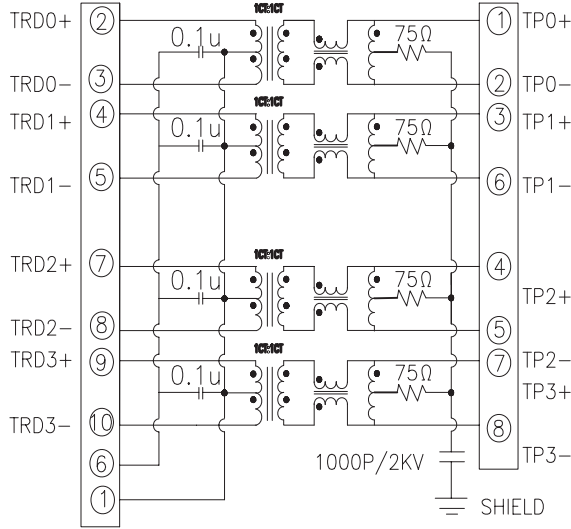
All specifications subject to change without notice.

MECHANICAL





SCHEMATICS



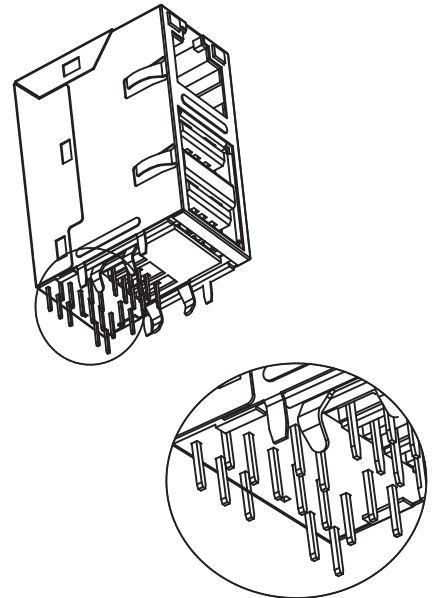
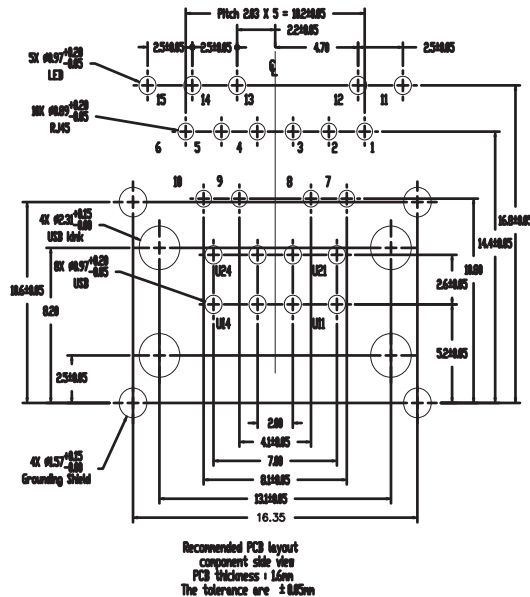
- U1 _____ USB-1
- U2 _____ USB-2
- U3 _____ USB-3
- U4 _____ USB-4
- U5 _____ USB-5
- U6 _____ USB-6
- U7 _____ USB-7
- U8 _____ USB-8

LED SCHEMATIC:

LED PERFORMANCE:

	Activity	Link	
Display Color	Orange (10Mbps)	Green (10Mbps)	Orange (10Mbps)
Wavelength	590nm	565nm	605nm
Forward Current	30mA	30mA	30mA
Reverse Current	10µA	10µA	10µA
Forward Volt.Max	2.6VDC	2.6VDC	2.6VDC

PCB LAYOUT



NOTES

- Housing Dielectric Material: Polymer Type: High Temperature Glass-Reinforced Thermplastic, Color: Black
- UL Flammability rRating: UL 94V-0
- Contacts (RJ MAG): Bse Metal Alloy: Phosphor Bronze
- Plating: 30u "Au Min over 50u "Ni Min Underplating 100U "Tin Min Over 50u "Ni Min on Tails
- Shield: Stainless Steel SUS304-1/2H. T=0.2mm, No Plating